

**COOL PI**

**YANYI** www.cool-pi.com

Project: CoolPI-4B-V10

File: <Page name>

Date: Tuesday, October 25, 2022

Designed by: Joseph

Reviewed by: <Checker>

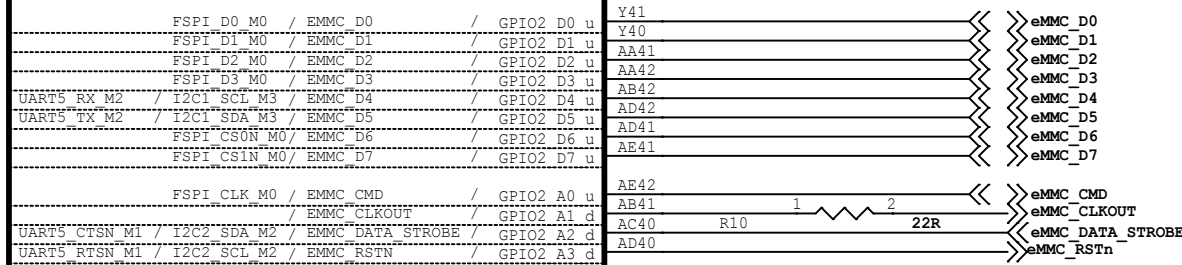
Rev: V10

Sheet: 0 of 0

U1C  
RK3588S

### EMMCIO Domain

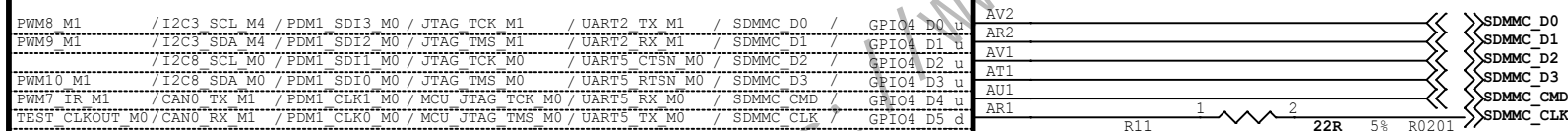
Operating Voltage=1.8V Only



U1D  
RK3588S

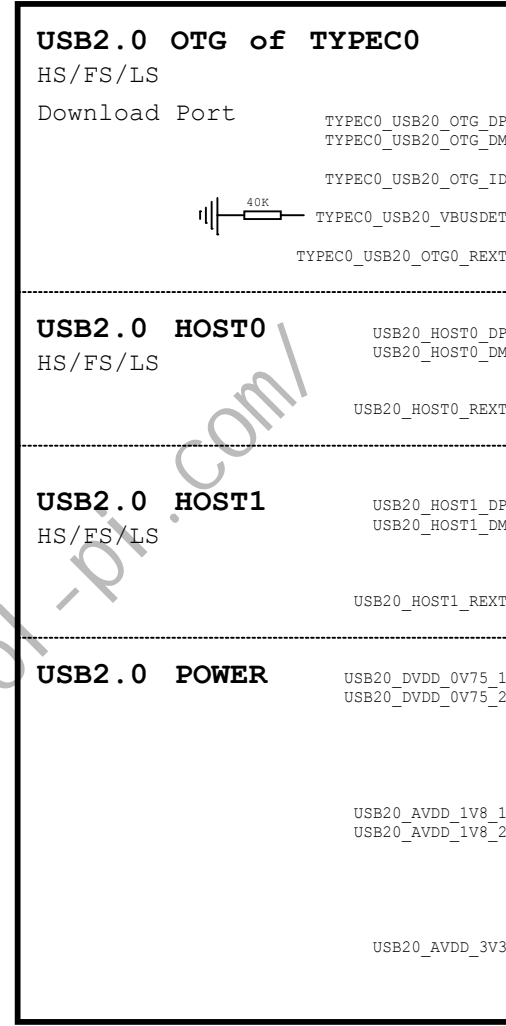
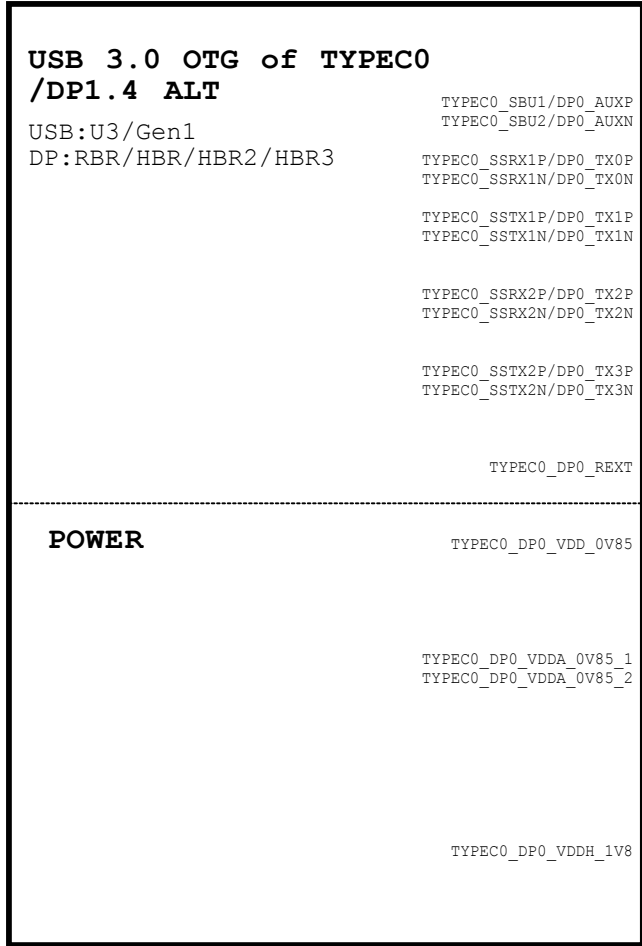
### VCCIO2 Domain

Operating Voltage=1.8V/3.3V

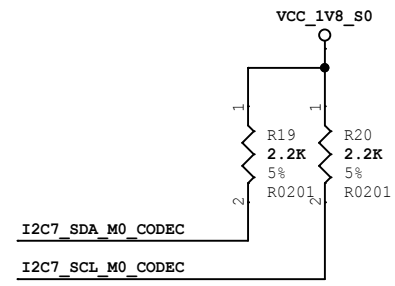
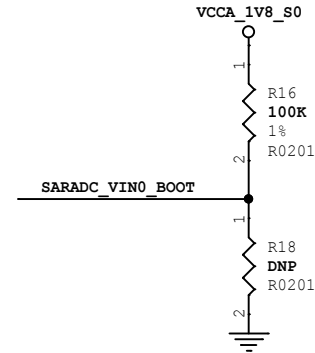
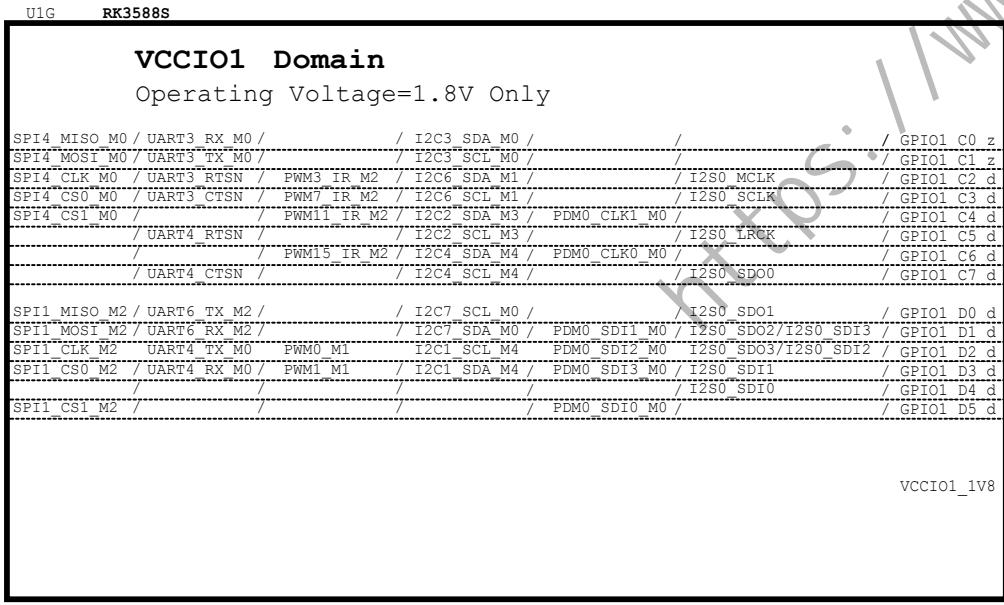
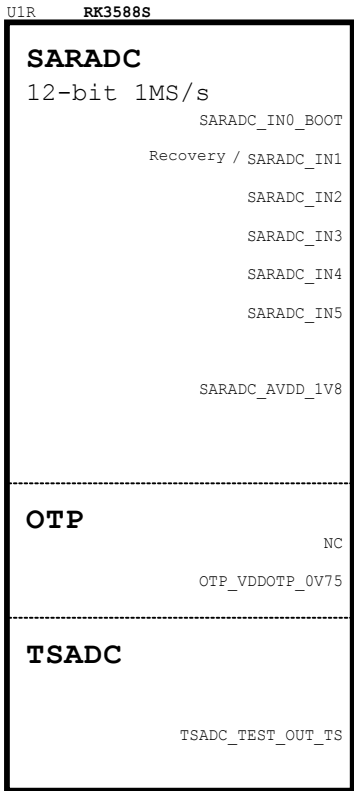


**YANYI** www.cool-pi.com

<b>Project:</b>	CoolPI-4B-V10		
<b>File:</b>	<Page name>		
<b>Date:</b>	Tuesday, October 25, 2022	<b>Rev:</b>	V10
<b>Designed by:</b>	Joseph	<b>Reviewed by:</b>	<Checker>
<b>Sheet:</b>	0 of 0		



<b>YANYI</b>		www.cool-pi.com	
<b>Project:</b>	CoolPI-4B-V10		
<b>File:</b>	<Page name>		
<b>Date:</b>	Tuesday, October 25, 2022	<b>Rev:</b>	V10
<b>Designed by:</b>	Joseph	<b>Reviewed by:</b>	<Checker>
		<b>Sheet:</b>	0 of 0



<b>YANYI</b>		www.cool-pi.com	
<b>Project:</b>	CoolPI-4B-V10		
<b>File:</b>	<Page name>		
<b>Date:</b>	Tuesday, October 25, 2022	<b>Rev:</b>	V10
<b>Designed by:</b>	Joseph	<b>Reviewed by:</b>	<Checker>
<b>Sheet:</b>	0 of 0		

**MIPI D/C-PHY DSI\_TX Port0**

D-PHY:V2.0  
4.5Gbps/Lane

C-PHY:V1.1  
5.7Gbps/Trio

MIPI\_DPHY0\_TX\_CLKP/MIPI\_CPHY0\_TX\_TRIO1\_C  
MIPI\_DPHY0\_TX\_CLKN/MIPI\_CPHY0\_TX\_TRIO1\_B  
  
MIPI\_DPHY0\_TX\_D0P/MIPI\_CPHY0\_TX\_TRIO0\_B  
MIPI\_DPHY0\_TX\_D0N/MIPI\_CPHY0\_TX\_TRIO0\_A  
  
MIPI\_DPHY0\_TX\_D1P/MIPI\_CPHY0\_TX\_TRIO1\_A  
MIPI\_DPHY0\_TX\_D1N/MIPI\_CPHY0\_TX\_TRIO0\_C  
  
MIPI\_DPHY0\_TX\_D2P/MIPI\_CPHY0\_TX\_TRIO2\_B  
MIPI\_DPHY0\_TX\_D2N/MIPI\_CPHY0\_TX\_TRIO2\_A  
  
MIPI\_DPHY0\_TX\_D3P/NO\_USE  
MIPI\_DPHY0\_TX\_D3N/MIPI\_CPHY0\_TX\_TRIO2\_C

BB34 MIPI\_DPHY0\_TX\_CLKP  
BA34 MIPI\_DPHY0\_TX\_CLKN  
  
BB31 MIPI\_DPHY0\_TX\_D0P  
BA31 MIPI\_DPHY0\_TX\_D0N  
  
BA32 MIPI\_DPHY0\_TX\_D1P  
BB32 MIPI\_DPHY0\_TX\_D1N  
  
BA35  
BB35  
  
BB37  
BA37

**MIPI D/C-PHY CSI\_RX Port0**

D-PHY:V2.0  
4.5Gbps/Lane

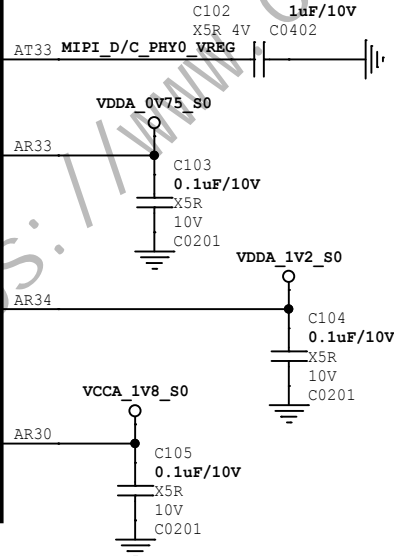
C-PHY:V1.1  
5.7Gbps/Trio

MIPI\_DPHY0\_RX\_CLKP/MIPI\_CPHY0\_RX\_TRIO1\_C  
MIPI\_DPHY0\_RX\_CLKN/MIPI\_CPHY0\_RX\_TRIO1\_B  
  
MIPI\_DPHY0\_RX\_D0P/MIPI\_CPHY0\_RX\_TRIO0\_B  
MIPI\_DPHY0\_RX\_D0N/MIPI\_CPHY0\_RX\_TRIO0\_A  
  
MIPI\_DPHY0\_RX\_D1P/MIPI\_CPHY0\_RX\_TRIO1\_A  
MIPI\_DPHY0\_RX\_D1N/MIPI\_CPHY0\_RX\_TRIO0\_C  
  
MIPI\_DPHY0\_RX\_D2P/MIPI\_CPHY0\_RX\_TRIO2\_B  
MIPI\_DPHY0\_RX\_D2N/MIPI\_CPHY0\_RX\_TRIO2\_A  
  
MIPI\_DPHY0\_RX\_D3P/NO\_USE  
MIPI\_DPHY0\_RX\_D3N/MIPI\_CPHY0\_RX\_TRIO2\_C

BB41  
BA41  
  
BA38  
BB38  
  
BA40  
AY40  
  
AY42  
BA42  
  
AW41  
AW42

**Power**

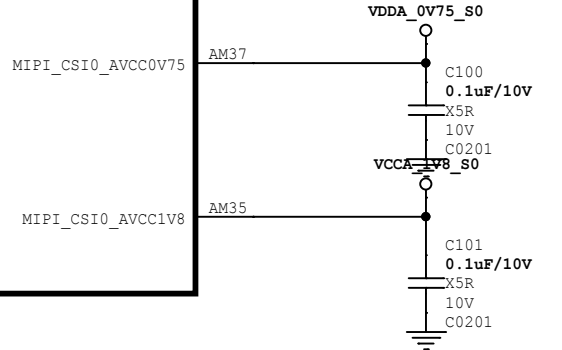
MIPI\_D/C\_PHY0\_VREG AT33  
MIPI\_D/C\_PHY0\_VDD AR33  
MIPI\_D/C\_PHY\_VDD\_1V2\_1 AR34  
MIPI\_D/C\_PHY\_VDD\_1V8\_1 AR30



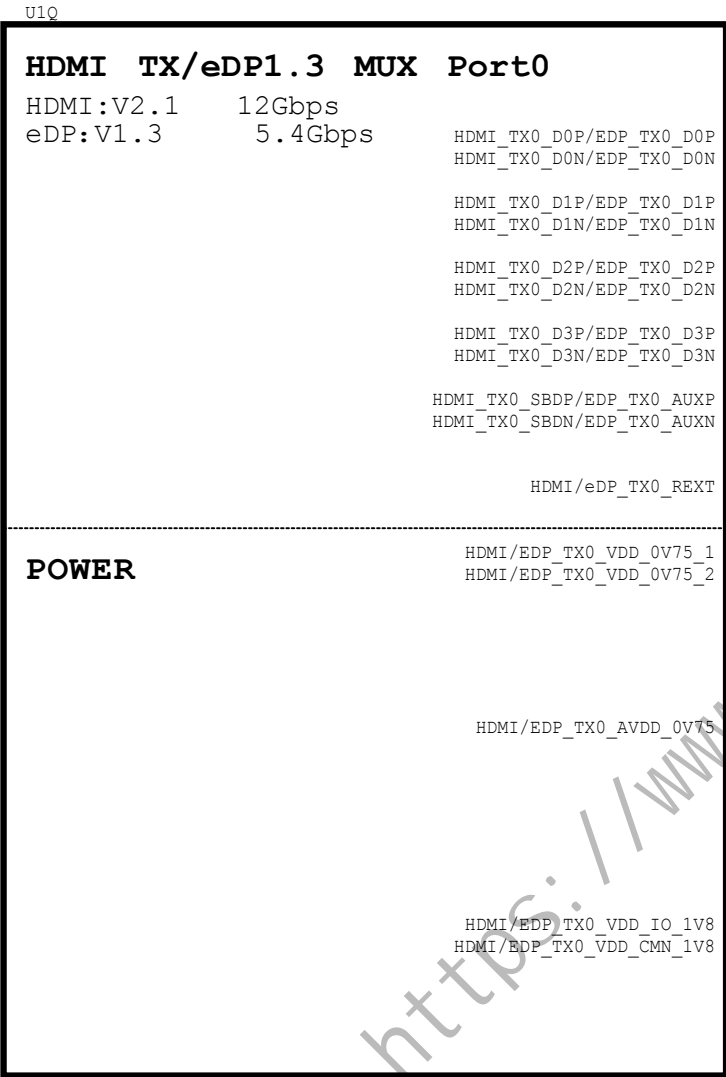
**MIPI DPHY CSI\_RX Port0**

MIPI V1.2  
2.5Gbps

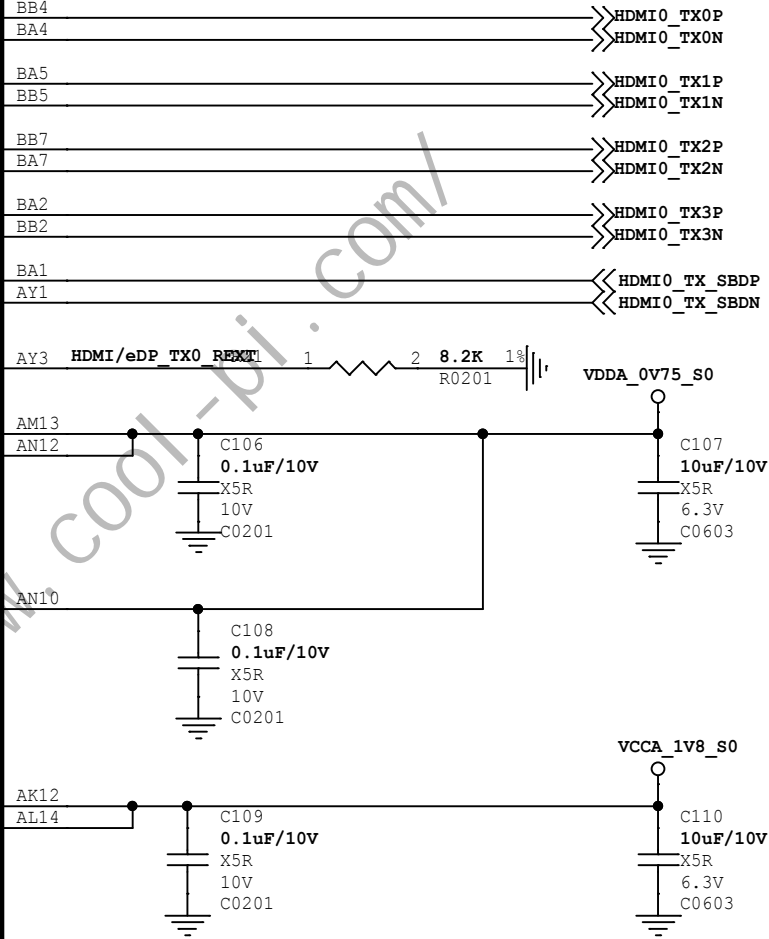
MIPI\_CSI0\_CLK0P AN42  
MIPI\_CSI0\_CLK0N AN41  
  
MIPI\_CSI0\_D0P AL42  
MIPI\_CSI0\_D0N AL41  
  
MIPI\_CSI0\_D1P AK41  
MIPI\_CSI0\_D1N AK42  
  
MIPI\_CSI0\_CLK1P AU41  
MIPI\_CSI0\_CLK1N AU42  
  
MIPI\_CSI0\_D2P AT41  
MIPI\_CSI0\_D2N AT42  
  
MIPI\_CSI0\_D3P AP42  
MIPI\_CSI0\_D3N AP41



<b>YANYI</b>		<a href="http://www.cool-pi.com">www.cool-pi.com</a>	
<b>Project:</b>	CoolPI-4B-V10		
<b>File:</b>	<Page name>		
<b>Date:</b>	Tuesday, October 25, 2022	<b>Rev:</b>	V10
<b>Designed by:</b>	Joseph	<b>Reviewed by:</b>	<Checker>
		<b>Sheet:</b>	0 of 0

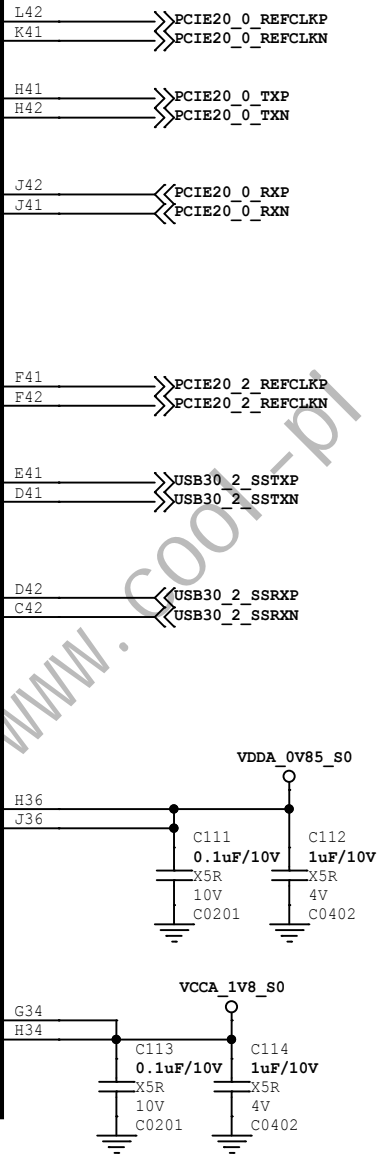
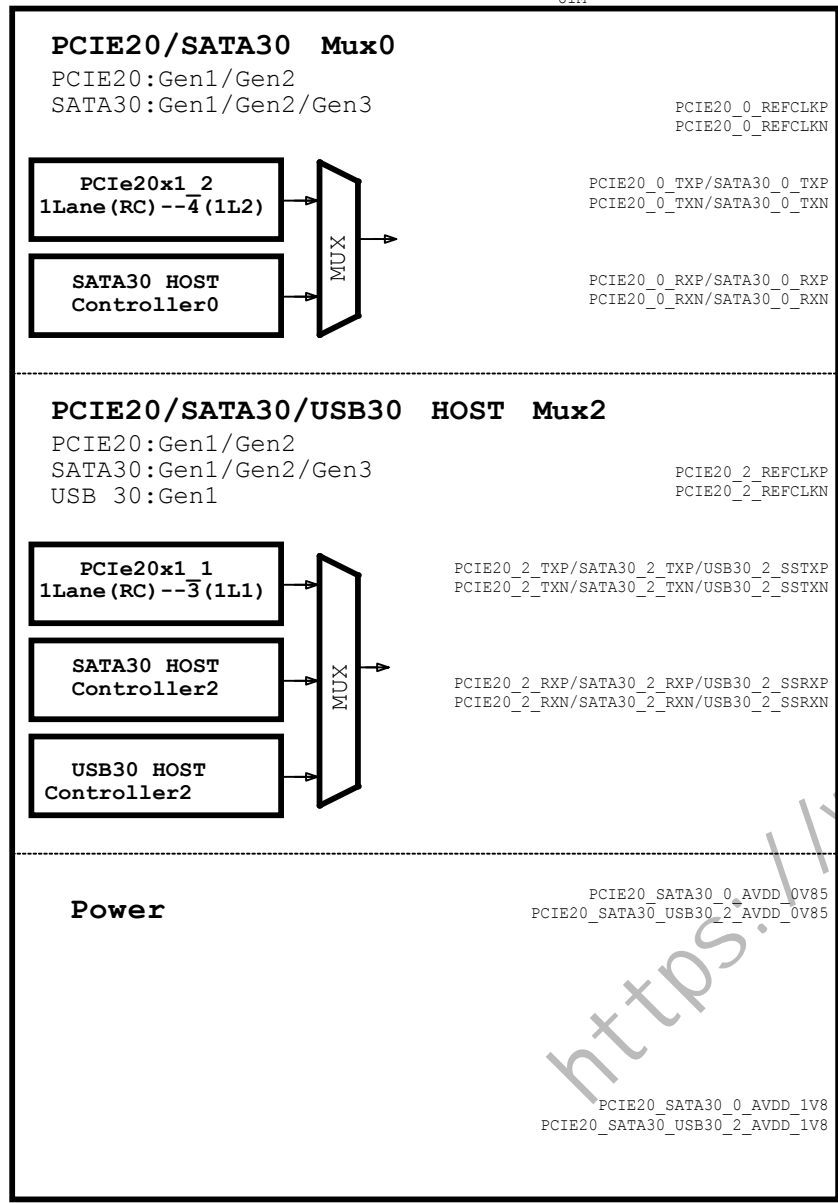


RK3588S



<b>YANYI</b>		<b>www.cool-pi.com</b>	
<b>Project:</b>	CoolPi-4B-V10		
<b>File:</b>	<Page name>		
<b>Date:</b>	Tuesday, October 25, 2022	<b>Rev:</b>	V10
<b>Designed by:</b>	Joseph	<b>Reviewed by:</b>	<Checker>
<b>Sheet:</b>	0 of 0		

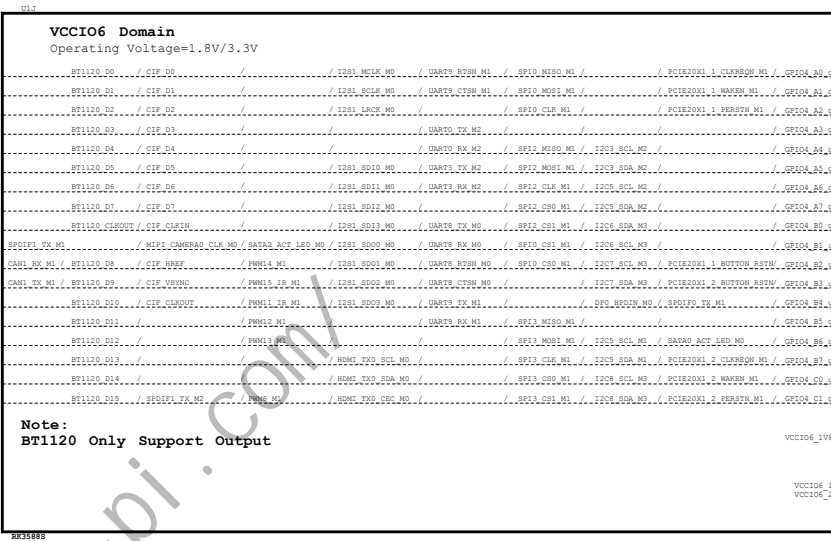
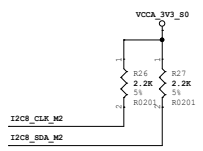
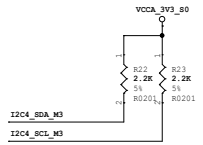
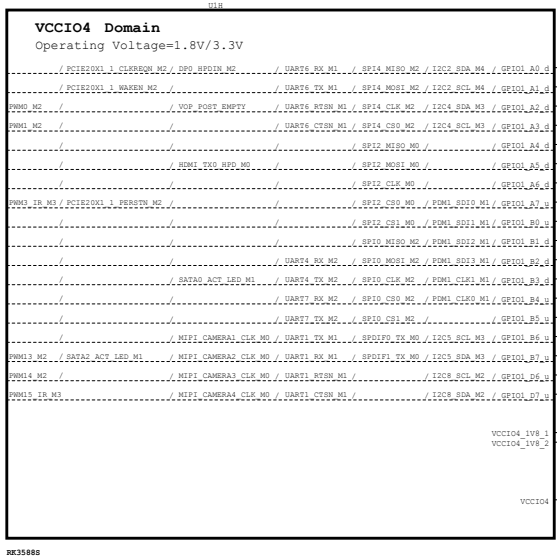




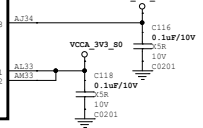
RK3588S



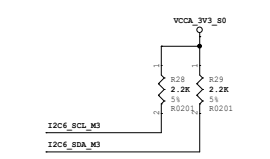
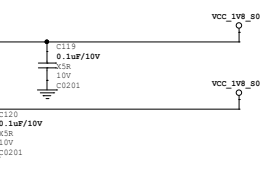
<b>YANYI</b>		<a href="http://www.cool-pi.com">www.cool-pi.com</a>	
<b>Project:</b>	CoolPI-4B-V10		
<b>File:</b>	<Page name>		
<b>Date:</b>	Tuesday, October 25, 2022	<b>Rev:</b>	V10
<b>Designed by:</b>	Joseph	<b>Reviewed by:</b>	<Checker>
		<b>Sheet:</b>	0 of 0

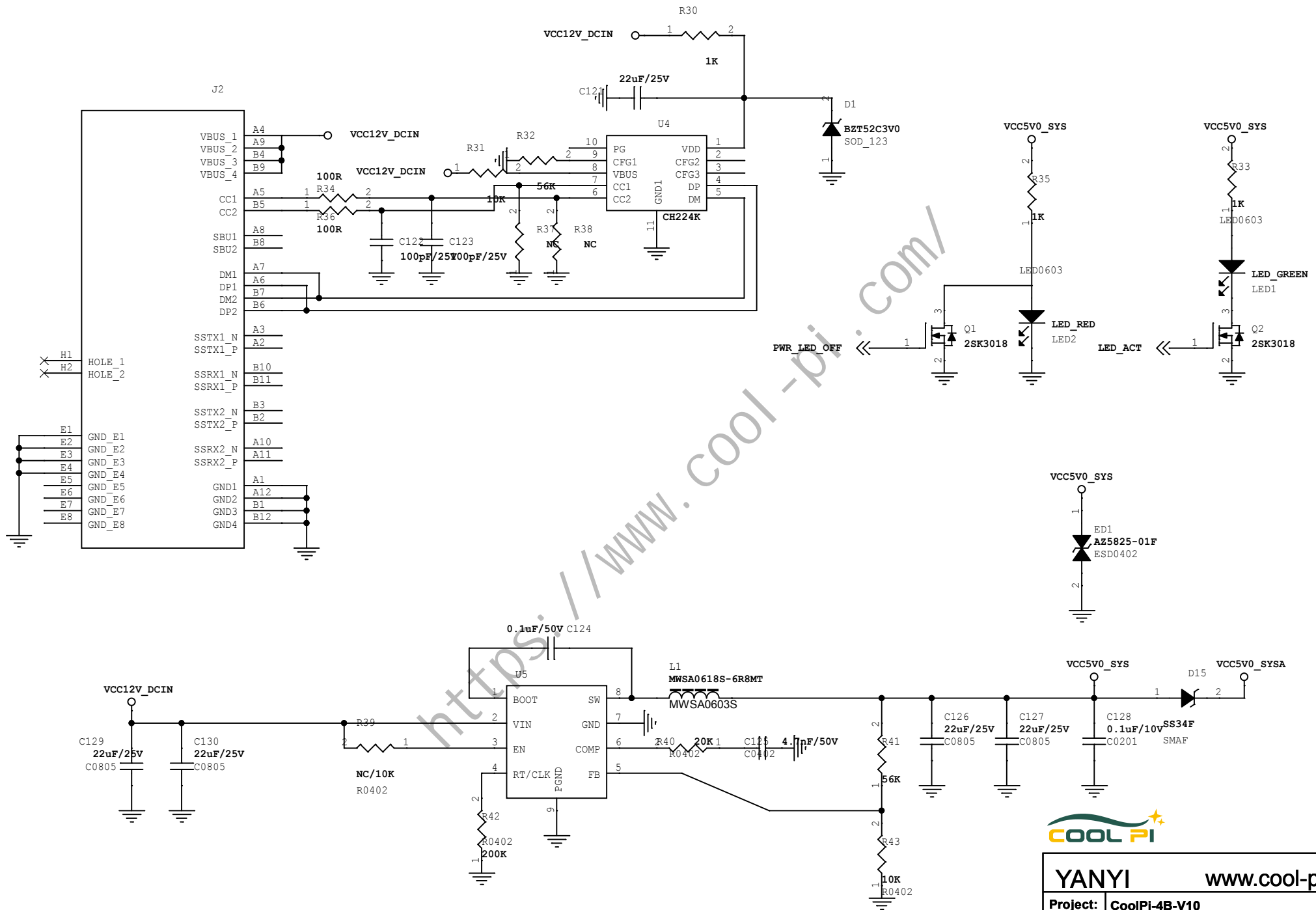


**Note:**  
BT1120 Only Support Output



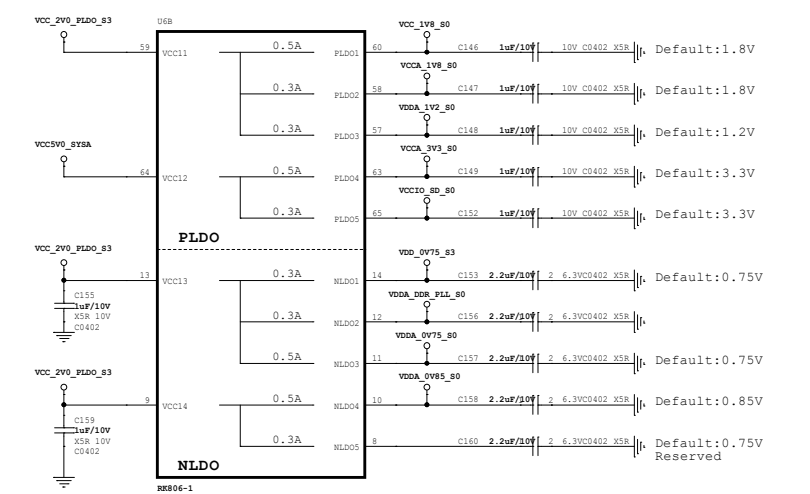
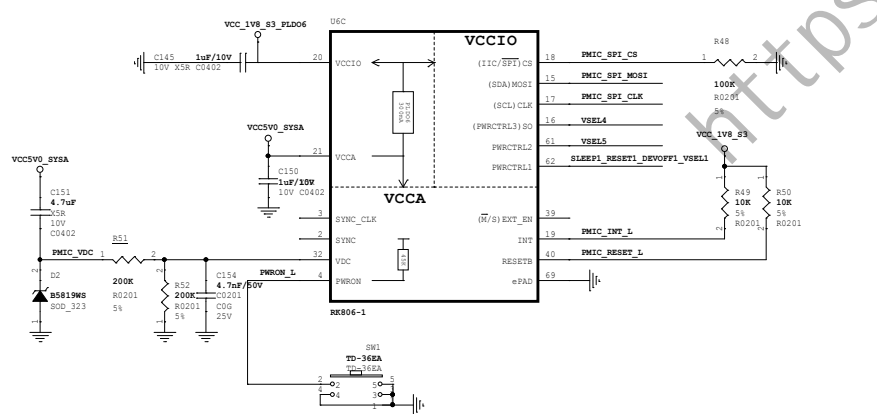
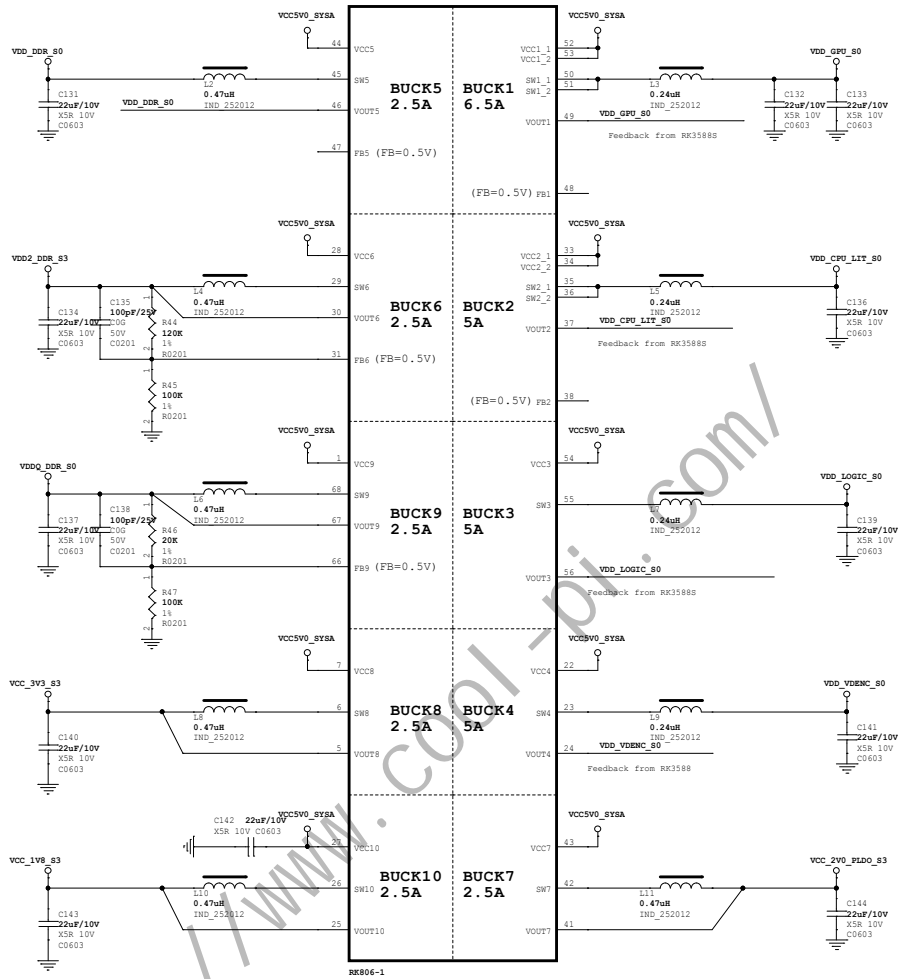
**RK3588S (VCCIO5 Domain)**





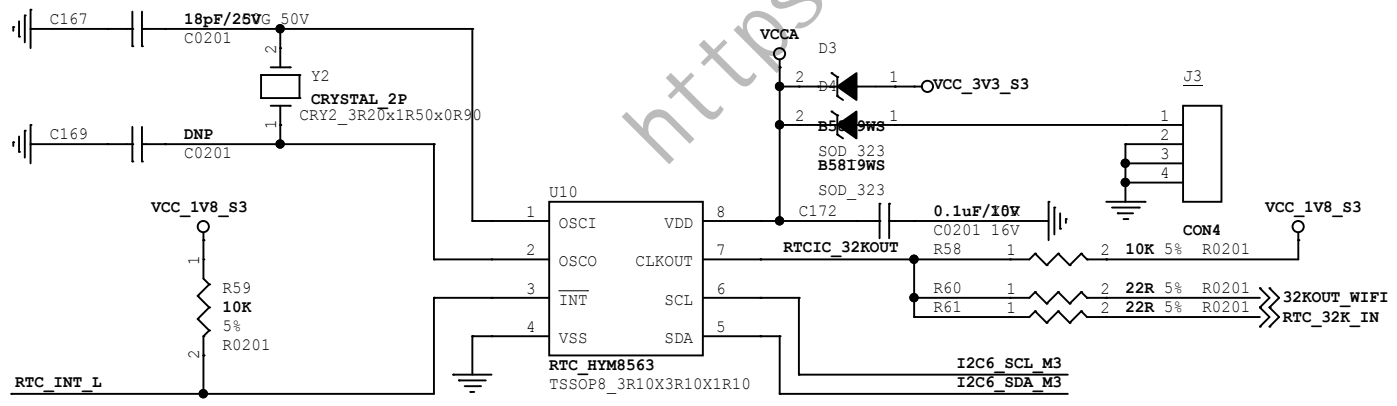
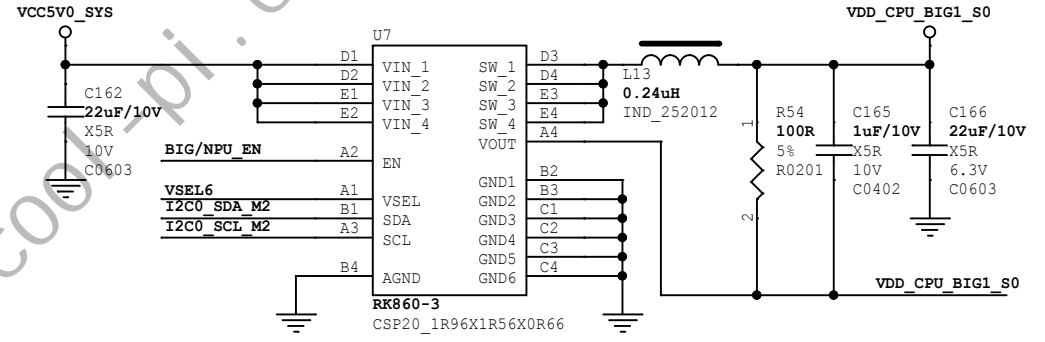
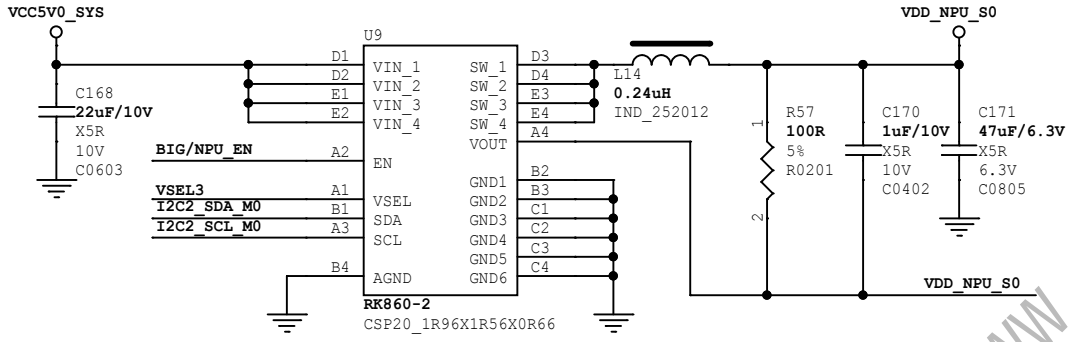
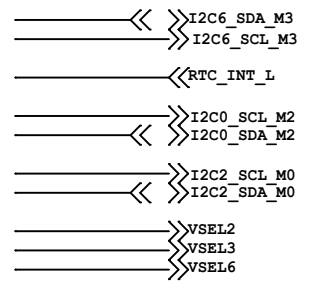
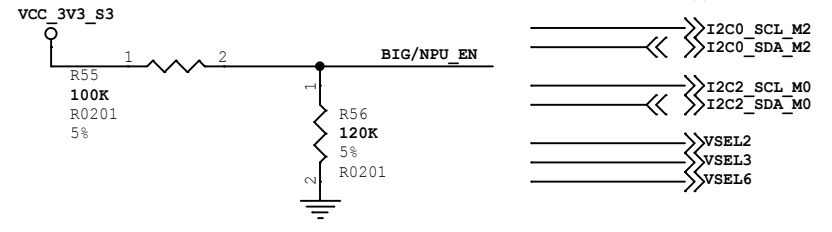
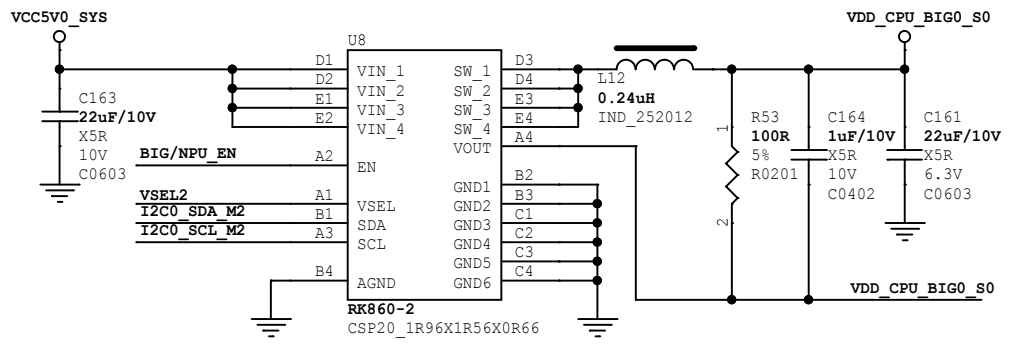
<b>YANYI</b>		<a href="http://www.cool-pi.com">www.cool-pi.com</a>	
<b>Project:</b>	CoolPi-4B-V10		
<b>File:</b>	<Page name>		
<b>Date:</b>	Tuesday, October 25, 2022	<b>Rev:</b>	V1.0
<b>Designed by:</b>	<designer>	<b>Reviewed by:</b>	
		<b>Sheet:</b>	0 of 0

SLEEP1\_RESET1\_DEVOFF1\_VSEL1  
 VSEL4  
 PMIC\_INT\_L  
 PMIC\_RESET\_L  
 PMIC\_SPI\_CLK  
 PMIC\_SPI\_CS  
 PMIC\_SPI\_MOSI

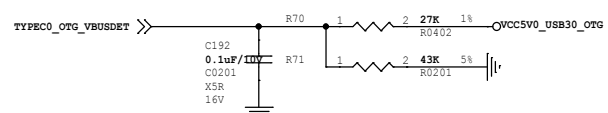
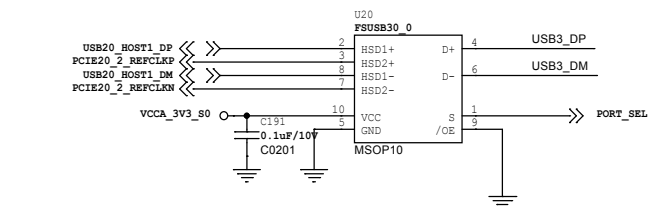
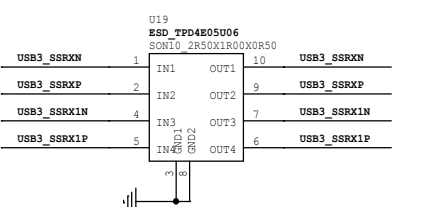
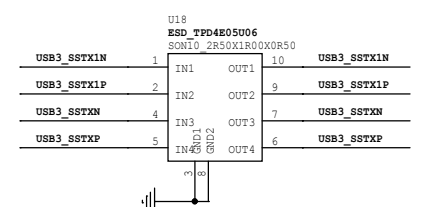
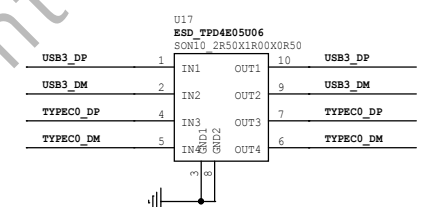
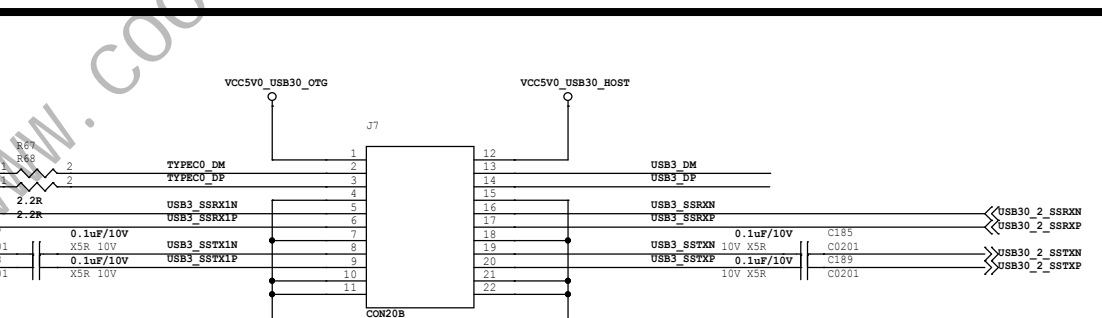
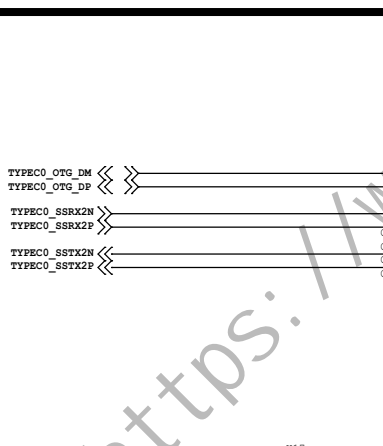
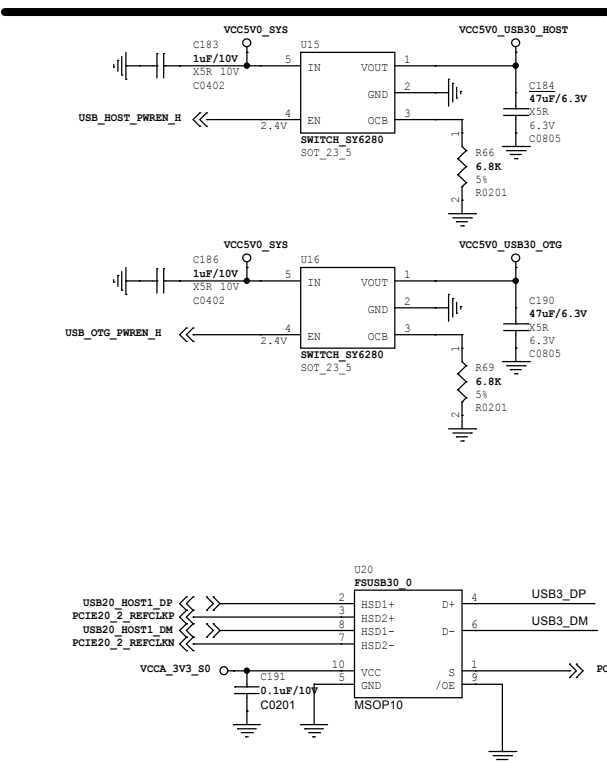
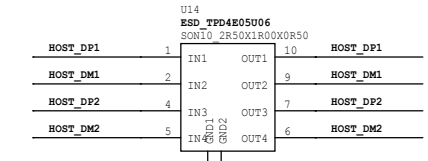
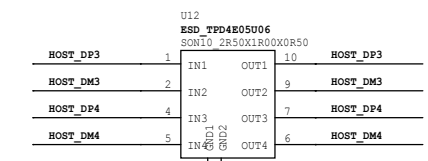
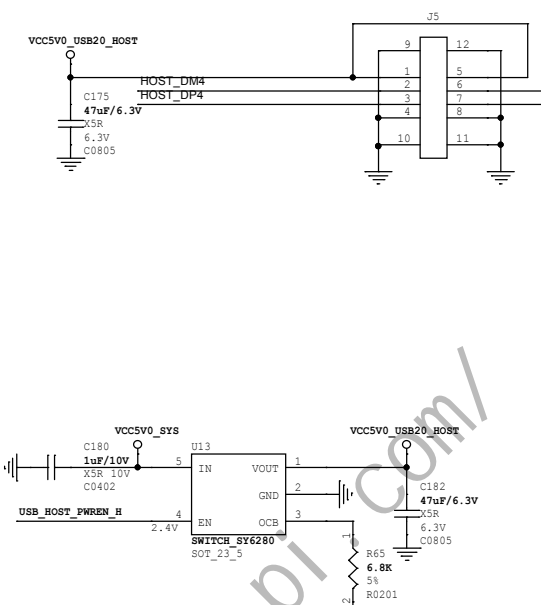
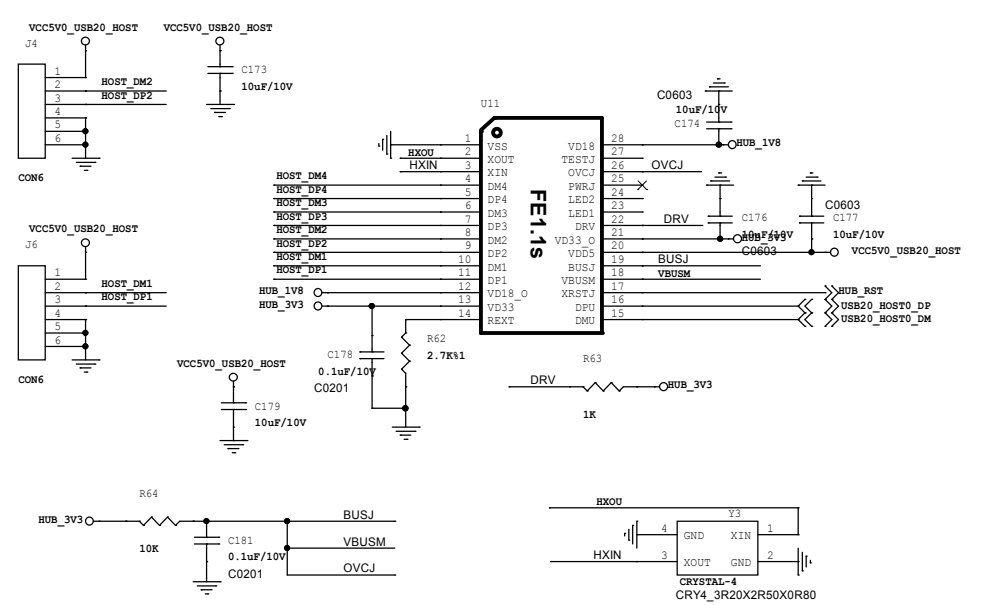


**YANYI** www.cool-pi.com

Project:	CoolPi-4B-V10
File:	<Page name>
Date:	Tuesday, October 25, 2022
Designed by:	Joseph
Reviewed by:	<Checker>
Rev:	V10
Sheet:	9 of 9



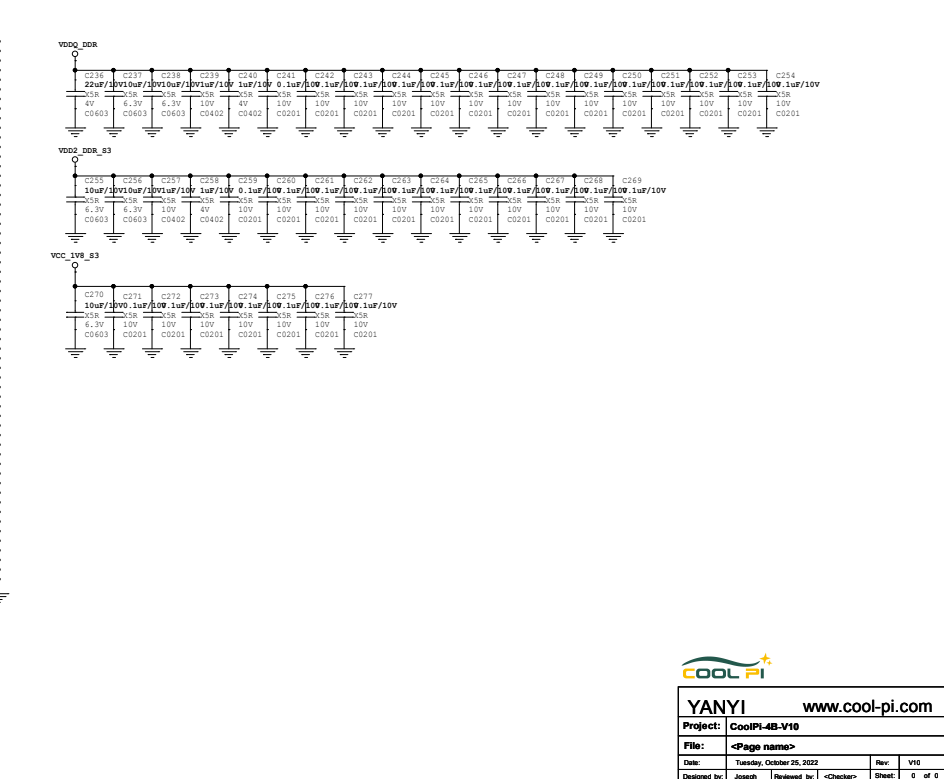
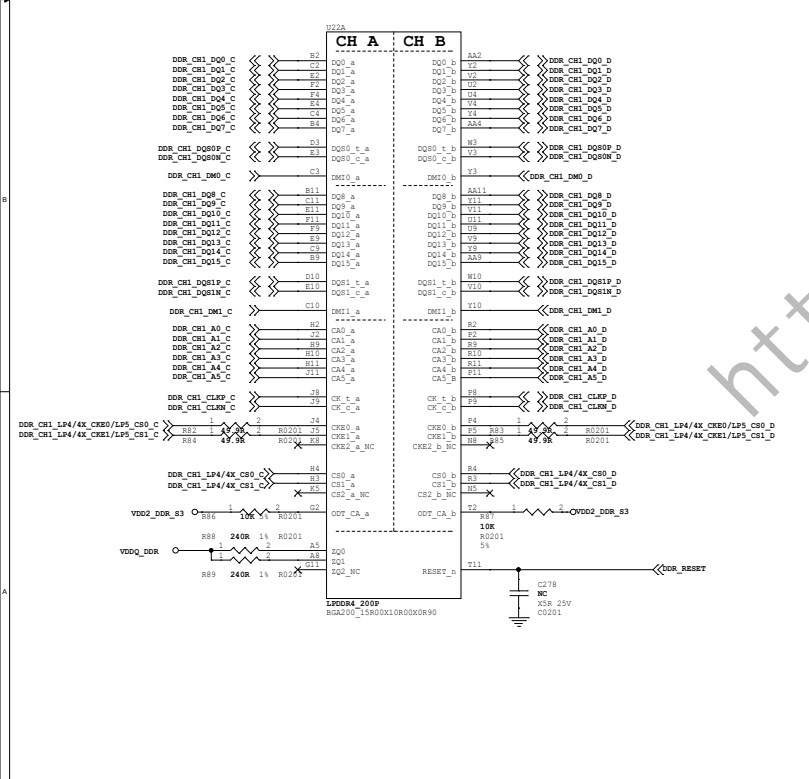
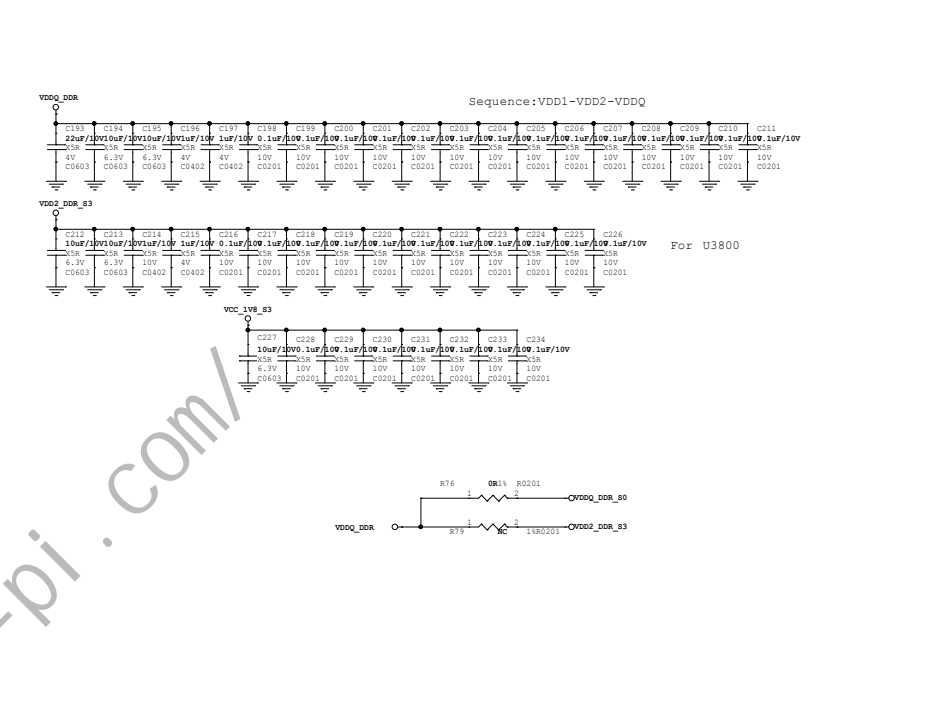
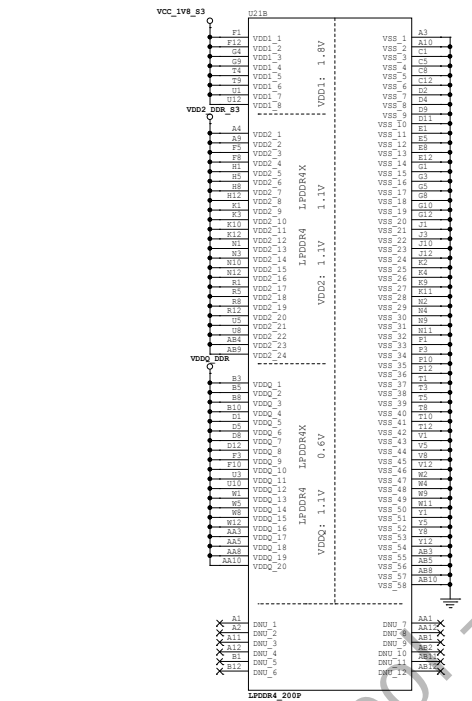
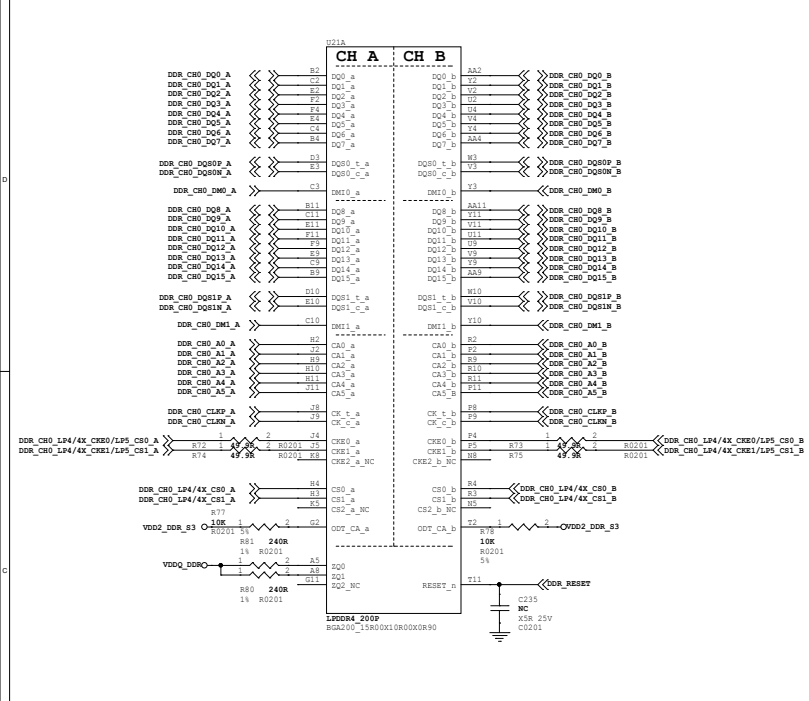
<b>YANYI</b>		www.cool-pi.com	
<b>Project:</b>	CoolPi-4B-V10		
<b>File:</b>	<Page name>		
<b>Date:</b>	Tuesday, October 25, 2022	<b>Rev:</b>	V10
<b>Designed by:</b>	Joseph	<b>Reviewed by:</b>	<Checker>
		<b>Sheet:</b>	0 of 0

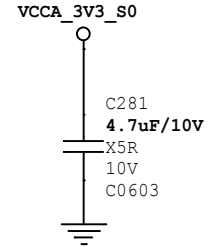
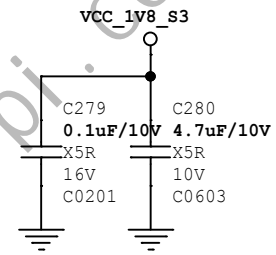
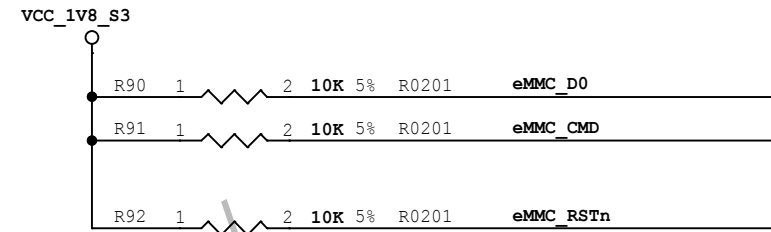
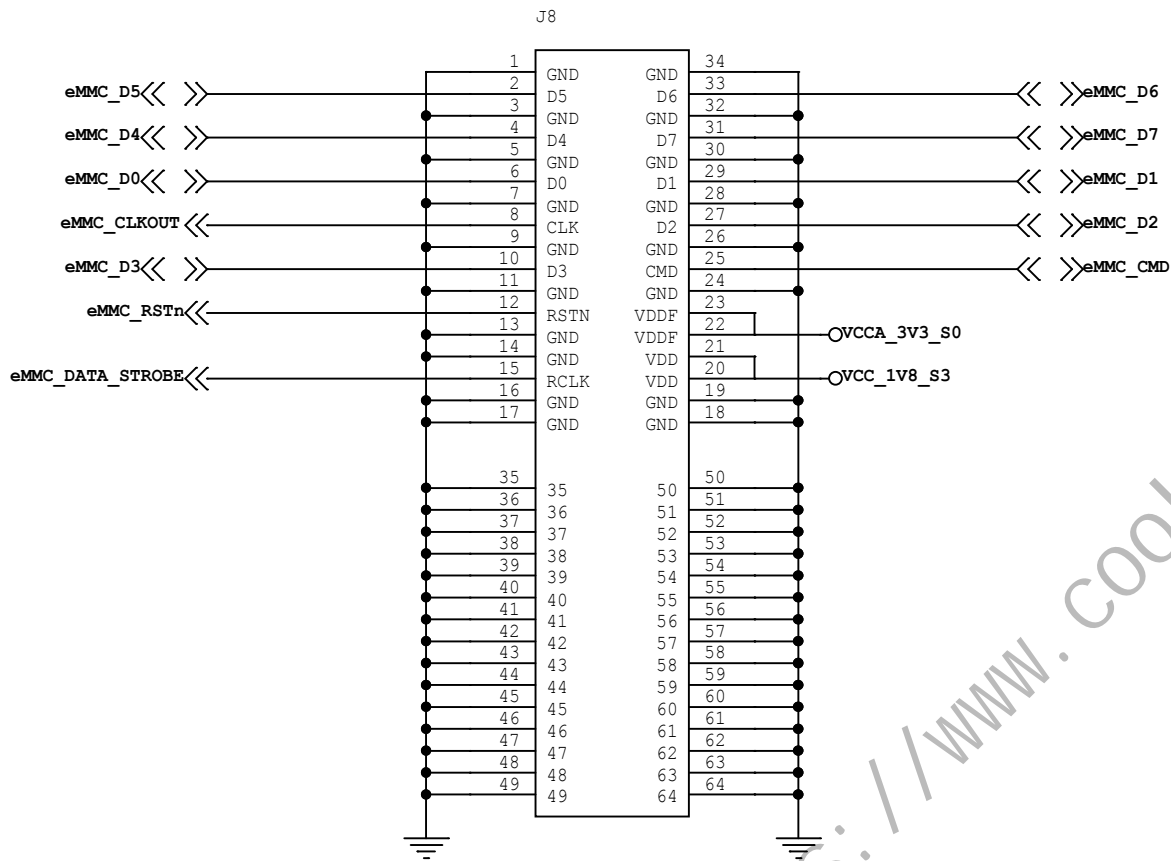


**COOL PI**

**YANYI** www.cool-pi.com

<b>Project:</b> CoolPI-4B-V10		<b>Rev:</b> V10	
<b>File:</b> <Page name>		<b>Sheet:</b> 0 of 0	
<b>Date:</b> Tuesday, October 25, 2022	<b>Designed by:</b> Joseph	<b>Reviewed by:</b> <Checker>	<b>Rev:</b> V10



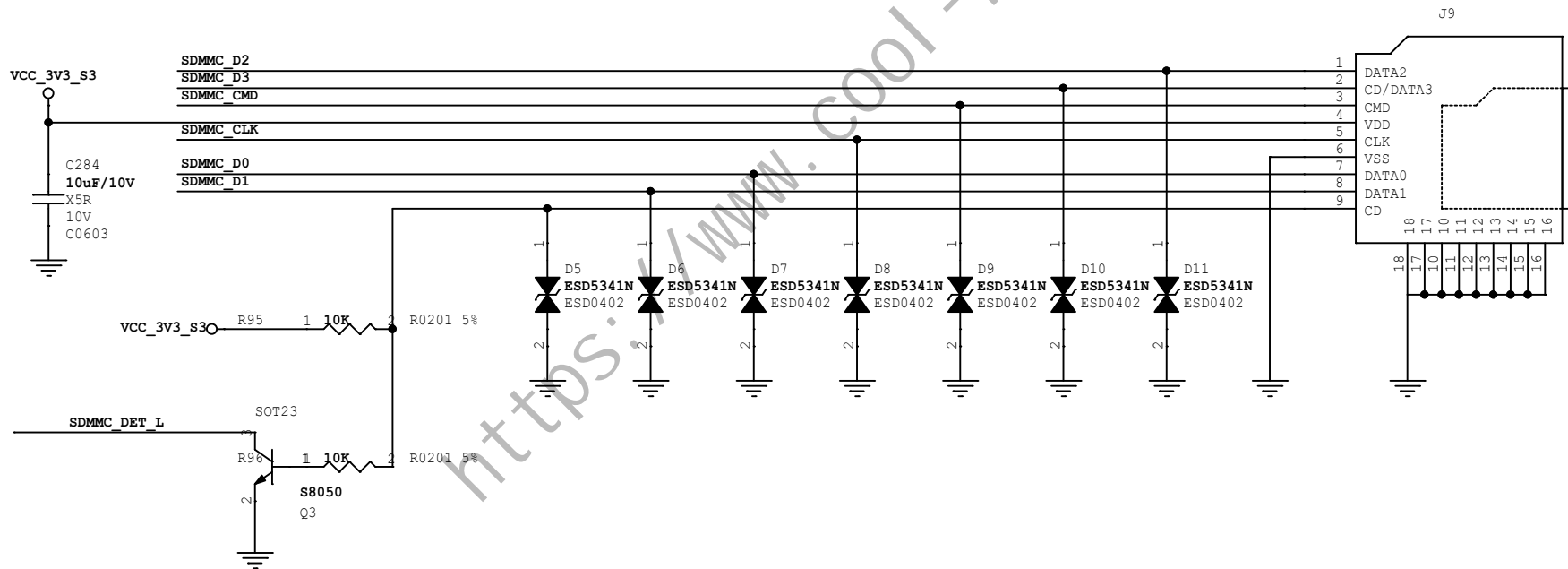
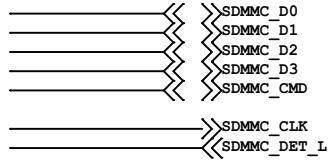


<https://www.cool-pi.com/>

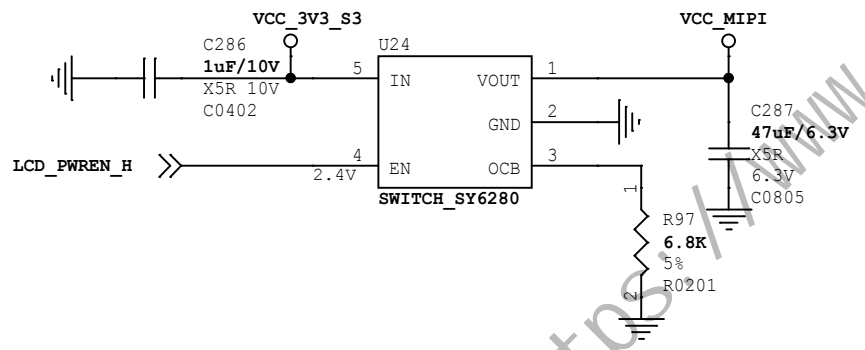
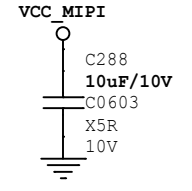
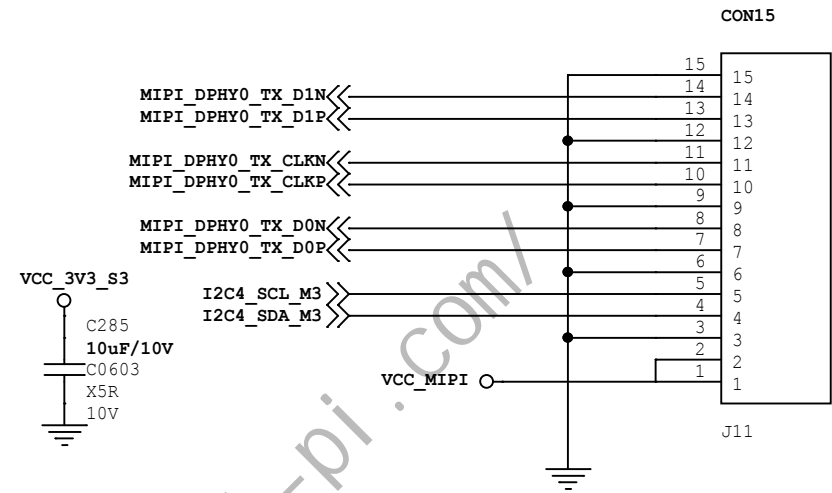
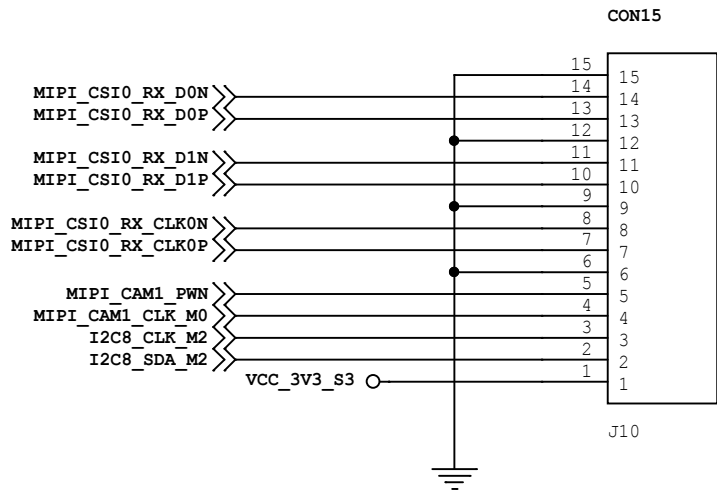


<b>YANYI</b>		<a href="http://www.cool-pi.com">www.cool-pi.com</a>	
<b>Project:</b>	CoolPi-4B-V10		
<b>File:</b>	<Page name>		
<b>Date:</b>	Tuesday, October 25, 2022	<b>Rev:</b>	V10
<b>Designed by:</b>	Joseph	<b>Reviewed by:</b>	<Checker>
<b>Sheet:</b>	0 of 0		

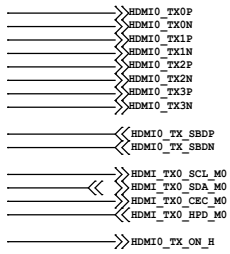




<b>YANYI</b>		<a href="http://www.cool-pi.com">www.cool-pi.com</a>	
<b>Project:</b>	CoolPI-4B-V10		
<b>File:</b>	<Page name>		
<b>Date:</b>	Tuesday, October 25, 2022	<b>Rev:</b>	V10
<b>Designed by:</b>	Joseph	<b>Reviewed by:</b>	<Checker>
		<b>Sheet:</b>	0 of 0



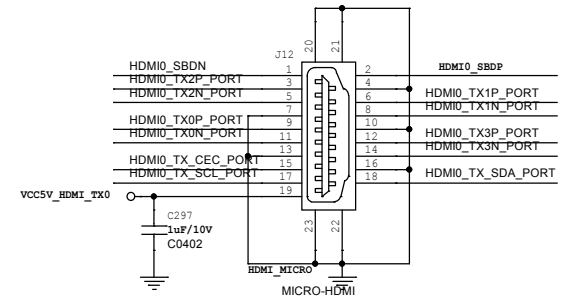
<b>YANYI</b>		<b>www.cool-pi.com</b>	
<b>Project:</b>	CoolPi-4B-V10		
<b>File:</b>	<Page name>		
<b>Date:</b>	Tuesday, October 25, 2022	<b>Rev:</b>	V10
<b>Designed by:</b>	Joseph	<b>Reviewed by:</b>	<Checker>
<b>Sheet:</b>	0 of 0		



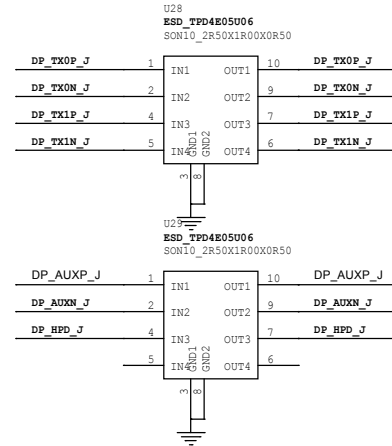
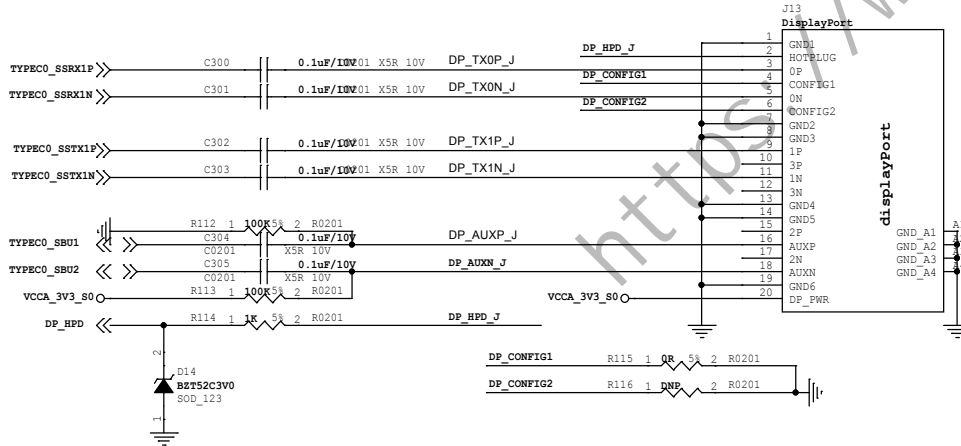
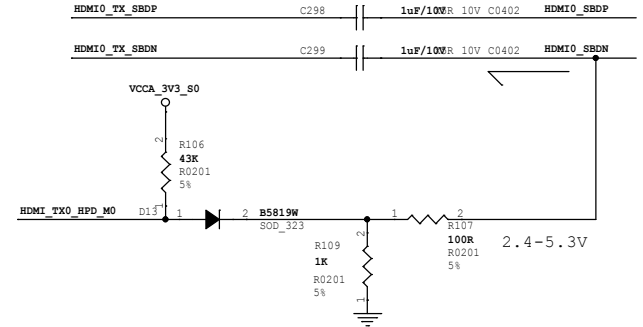
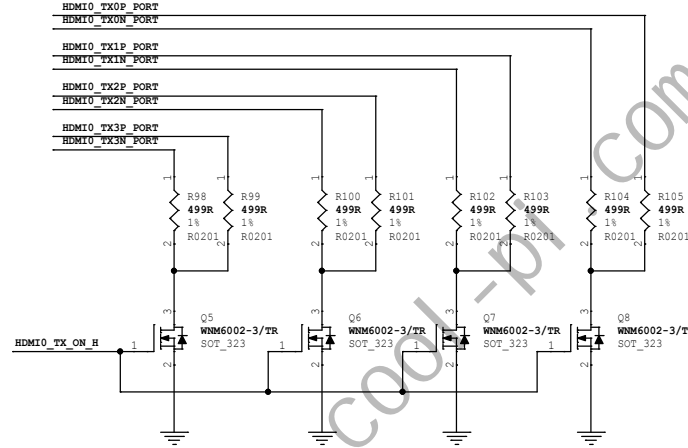
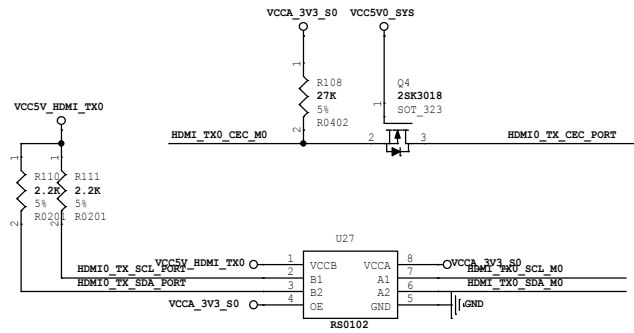
HDMI0_TX2P	C289	220nF/10V 10V C0201	HDMI0_TX2P_PORT	1	I01	NC 10	10	HDMI0_TX2P_PORT
HDMI0_TX2N	C290	220nF/10V 10V C0201	HDMI0_TX2N_PORT	2	I02	NC 9	9	HDMI0_TX2N_PORT
				3	GND	GND	8	HDMI0_TX1P_PORT
HDMI0_TX1P	C291	220nF/10V 10V C0201	HDMI0_TX1P_PORT	4	I03	NC 7	7	HDMI0_TX1P_PORT
HDMI0_TX1N	C292	220nF/10V 10V C0201	HDMI0_TX1N_PORT	5	I04	NC 6	6	HDMI0_TX1N_PORT
HDMI0_TX0P	C293	220nF/10V 10V C0201	HDMI0_TX0P_PORT	1	I01	NC 10	10	HDMI0_TX0P_PORT
HDMI0_TX0N	C294	220nF/10V 10V C0201	HDMI0_TX0N_PORT	2	I02	NC 9	9	HDMI0_TX0N_PORT
				3	GND	GND	8	HDMI0_TX3P_PORT
HDMI0_TX3P	C295	220nF/10V 10V C0201	HDMI0_TX3P_PORT	4	I03	NC 7	7	HDMI0_TX3P_PORT
HDMI0_TX3N	C296	220nF/10V 10V C0201	HDMI0_TX3N_PORT	5	I04	NC 6	6	HDMI0_TX3N_PORT

U25 ESD\_ESD73034D  
SON10\_2R50X1R00X0R50

U26 ESD\_ESD73034D  
SON10\_2R50X1R00X0R50

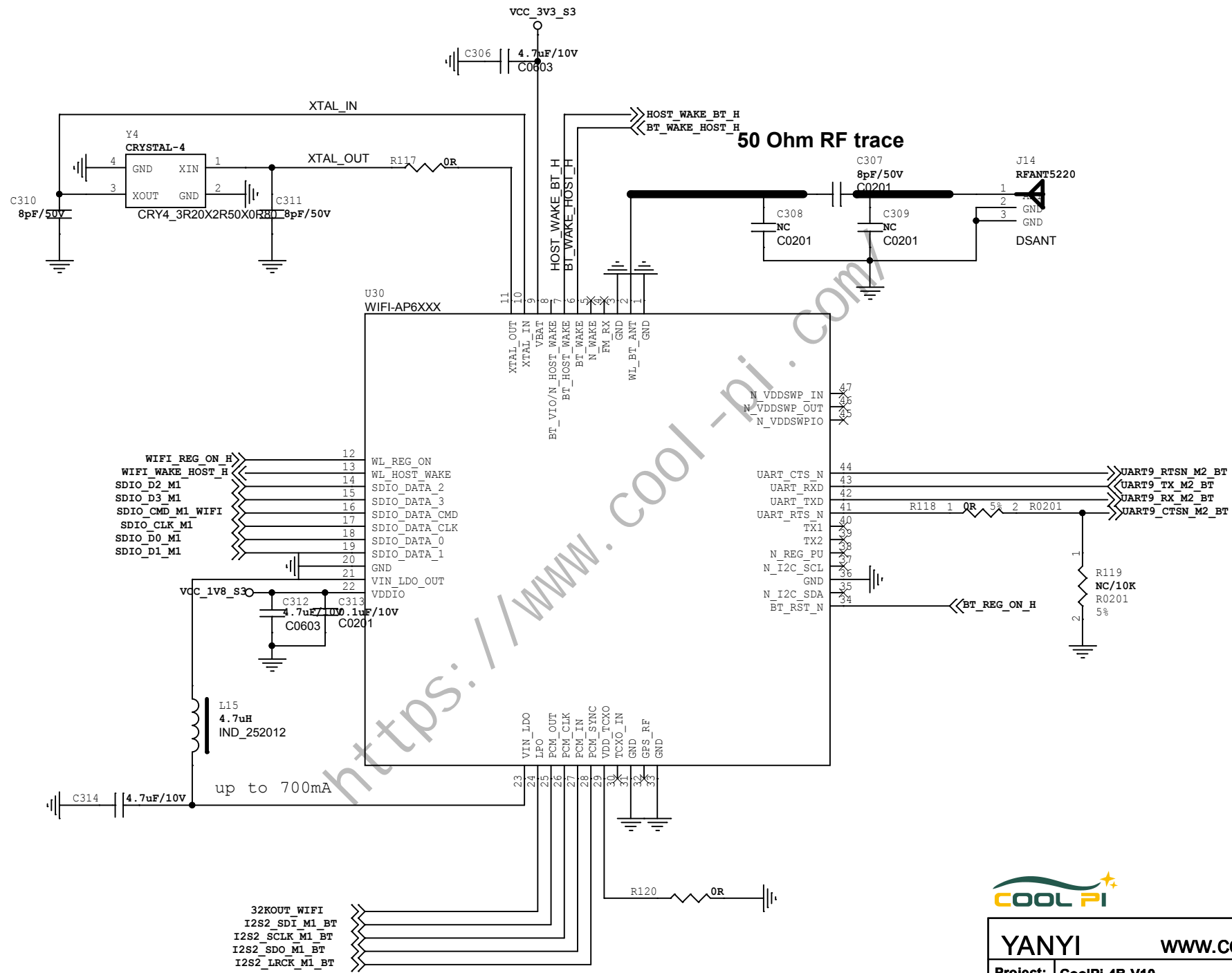


### HDMI TX CEC



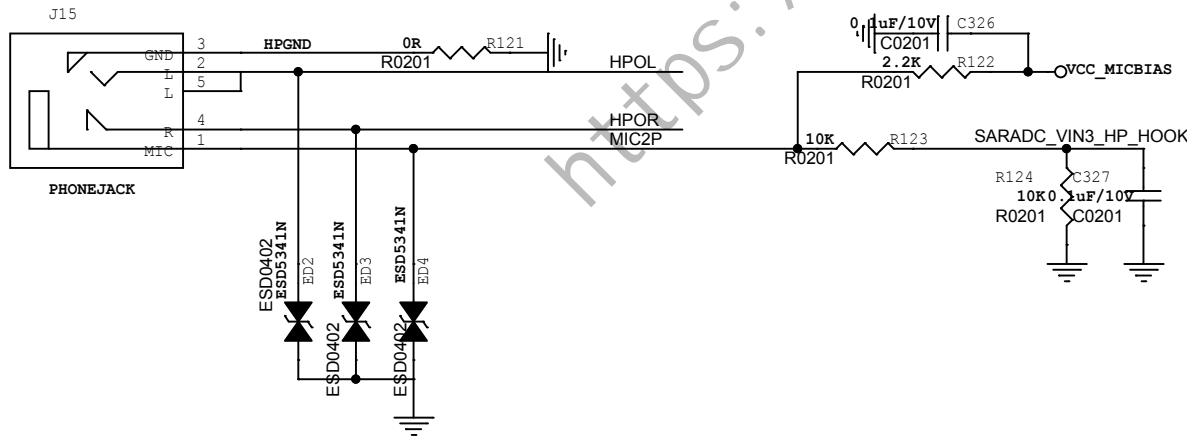
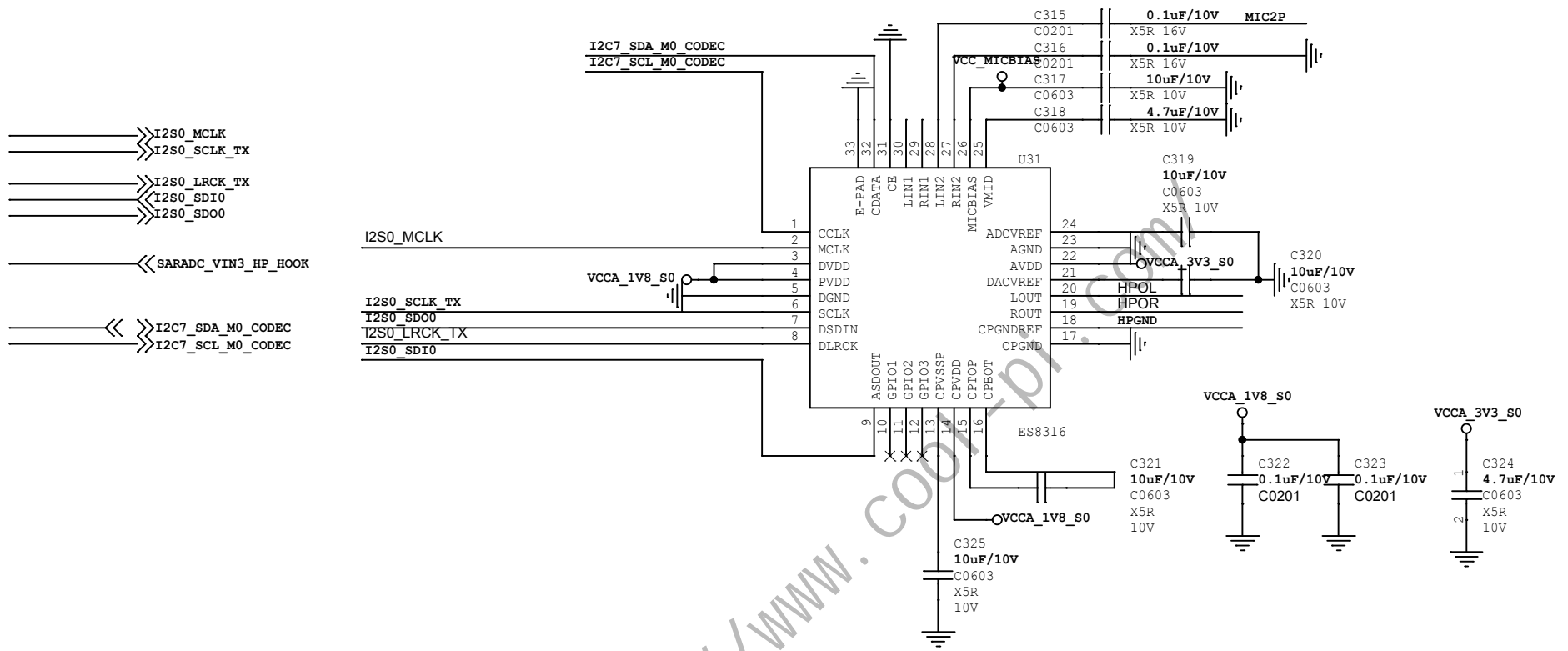
YANYI www.cool-pi.com

Project:	CoolPI-4B-V10	Rev:	V10
File:	<Page name>	Sheet:	0 of 0
Date:	Tuesday, October 25, 2022	Designed by:	Joseph
Reviewed by:	<Checker>	Reviewed by:	<Checker>

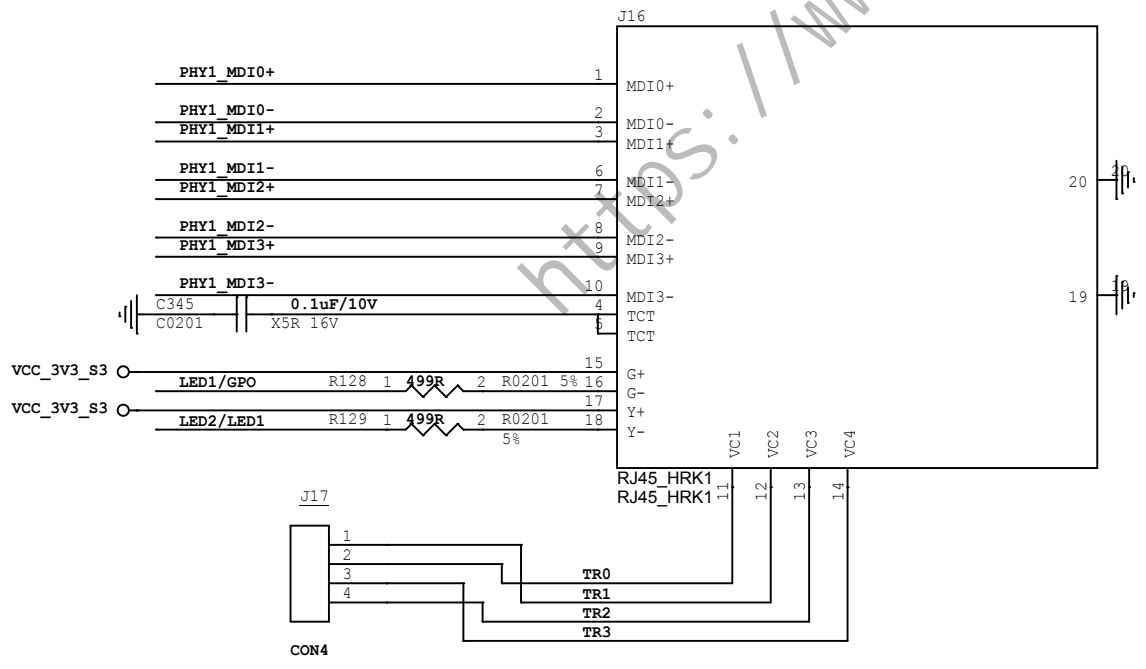
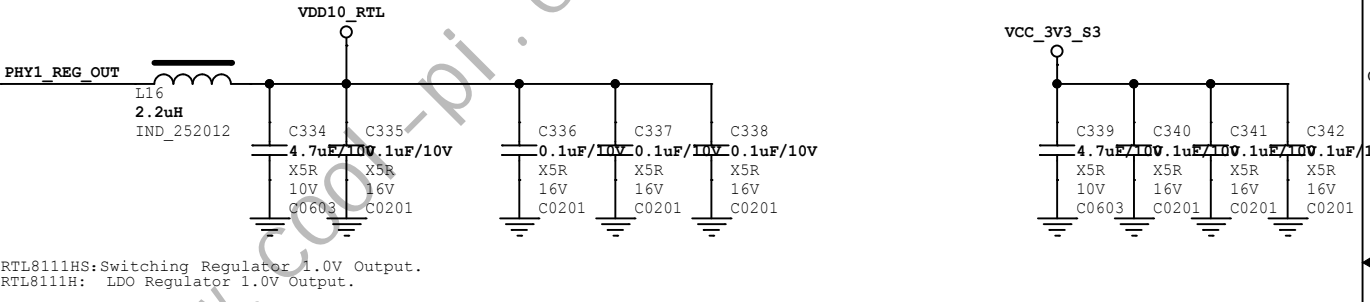
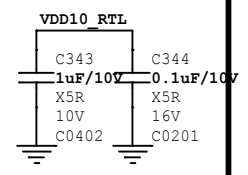
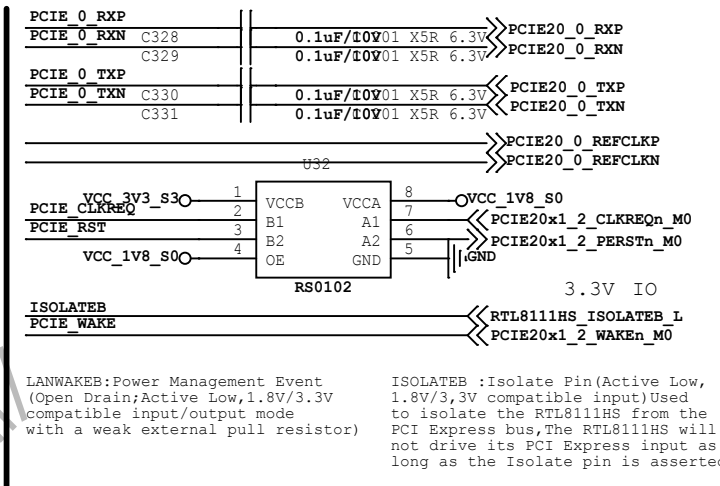
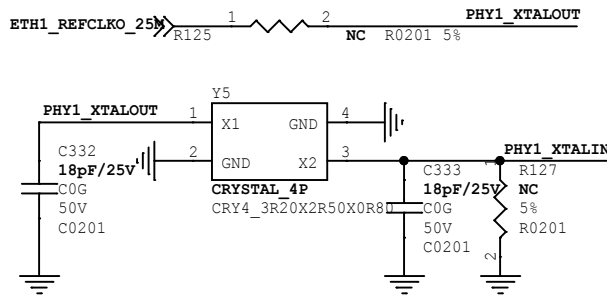
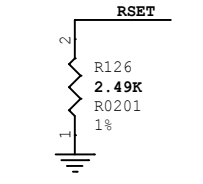
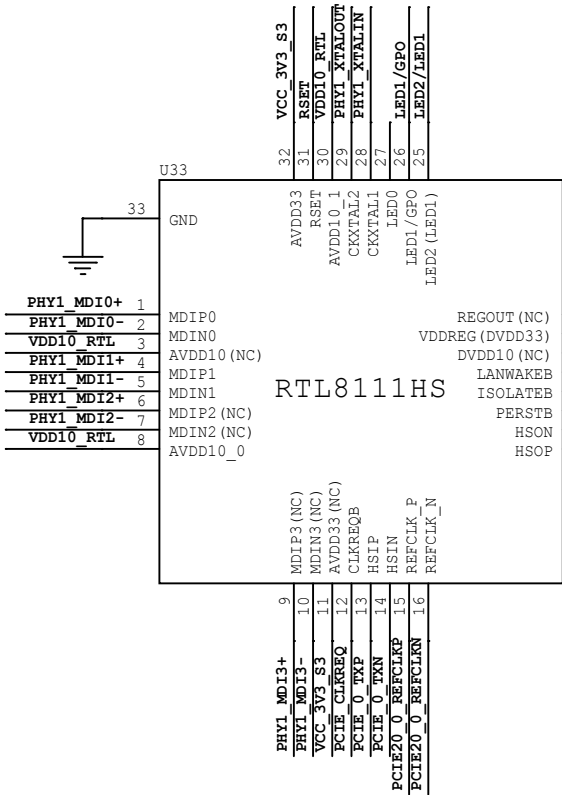


**YANYI** [www.cool-pi.com](http://www.cool-pi.com)

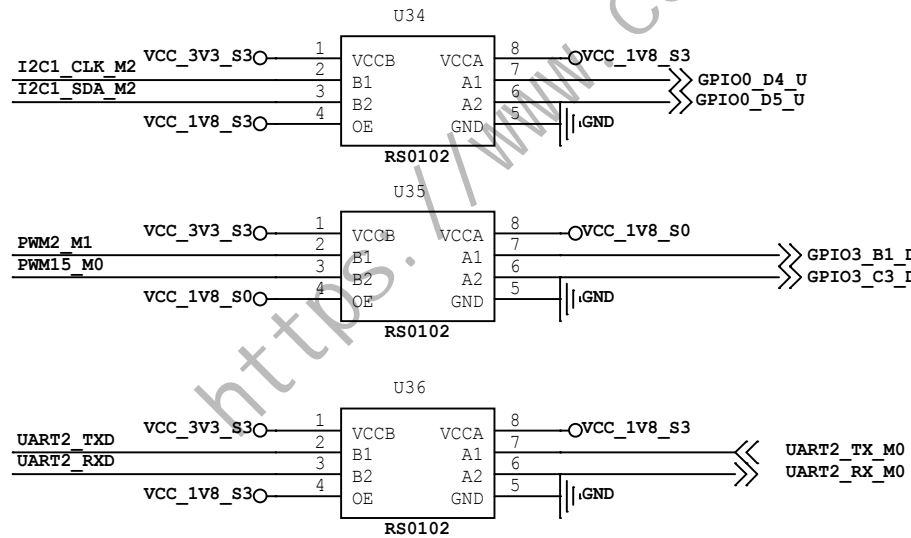
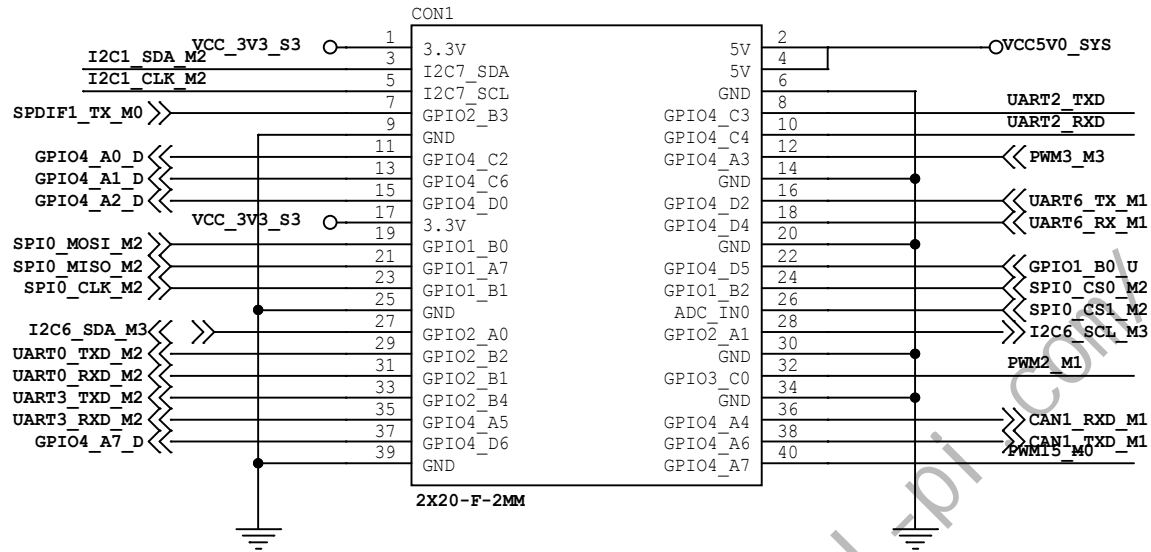
<b>Project:</b>	CoolPi-4B-V10		
<b>File:</b>	<Page name>		
<b>Date:</b>	Tuesday, October 25, 2022	<b>Rev:</b>	V10
<b>Designed by:</b>	Joseph	<b>Reviewed by:</b>	<Checker>
		<b>Sheet:</b>	0 of 0



<b>YANYI</b>		<a href="http://www.cool-pi.com">www.cool-pi.com</a>	
<b>Project:</b>	CoolPI-4B-V10		
<b>File:</b>	<Page name>		
<b>Date:</b>	Tuesday, October 25, 2022	<b>Rev:</b>	V10
<b>Designed by:</b>	Joseph	<b>Reviewed by:</b>	Default
		<b>Sheet:</b>	0 of 0



<b>YANYI</b>		<b>www.cool-pi.com</b>	
<b>Project:</b>	CoolPI-4B-V10		
<b>File:</b>	<Page name>		
<b>Date:</b>	Tuesday, October 25, 2022	<b>Rev:</b>	V1.1
<b>Designed by:</b>	Zhangdz	<b>Reviewed by:</b>	Default
		<b>Sheet:</b>	0 of 0



YANYI

www.cool-pi.com

Project:	CoolPi-4B-V10		
File:	<Page name>		
Date:	Tuesday, October 25, 2022	Rev:	V10
Designed by:	Joseph	Reviewed by:	<Checker>
Sheet:	0 of 0		