

Q17	Q18	Q19	Q20	Q21	Q22	Q23	Q24	Q25	Q26	Q27	Q28	Q29	Q30	Q31	Q32	Q33	Q34	Q35	Q36	Q37	Q38	Q39	Q40	Q41	Q42	Q43	Q44	Q45	Q46	Q47	Q48	Q49	Q50																	
A7	V8S_1	V8S_2	V8S_3	V8S_4	V8S_5	V8S_6	V8S_7	V8S_8	V8S_9	V8S_10	V8S_11	V8S_12	V8S_13	V8S_14	V8S_15	V8S_16	V8S_17	V8S_18	V8S_19	V8S_20	V8S_21	V8S_22	V8S_23	V8S_24	V8S_25	V8S_26	V8S_27	V8S_28	V8S_29	V8S_30	V8S_31	V8S_32	V8S_33	V8S_34	V8S_35	V8S_36	V8S_37	V8S_38	V8S_39	V8S_40	V8S_41	V8S_42	V8S_43	V8S_44	V8S_45	V8S_46	V8S_47	V8S_48	V8S_49	V8S_50

Q9	Q10	Q11	Q12	Q13	Q14	Q15	Q16	Q17	Q18	Q19	Q20	Q21	Q22	Q23	Q24	Q25	Q26	Q27	Q28	Q29	Q30	Q31	Q32	Q33	Q34	Q35	Q36	Q37	Q38	Q39	Q40	Q41	Q42	Q43	Q44	Q45	Q46	Q47	Q48	Q49	Q50								
V8S_101	V8S_102	V8S_103	V8S_104	V8S_105	V8S_106	V8S_107	V8S_108	V8S_109	V8S_110	V8S_111	V8S_112	V8S_113	V8S_114	V8S_115	V8S_116	V8S_117	V8S_118	V8S_119	V8S_120	V8S_121	V8S_122	V8S_123	V8S_124	V8S_125	V8S_126	V8S_127	V8S_128	V8S_129	V8S_130	V8S_131	V8S_132	V8S_133	V8S_134	V8S_135	V8S_136	V8S_137	V8S_138	V8S_139	V8S_140	V8S_141	V8S_142	V8S_143	V8S_144	V8S_145	V8S_146	V8S_147	V8S_148	V8S_149	V8S_150

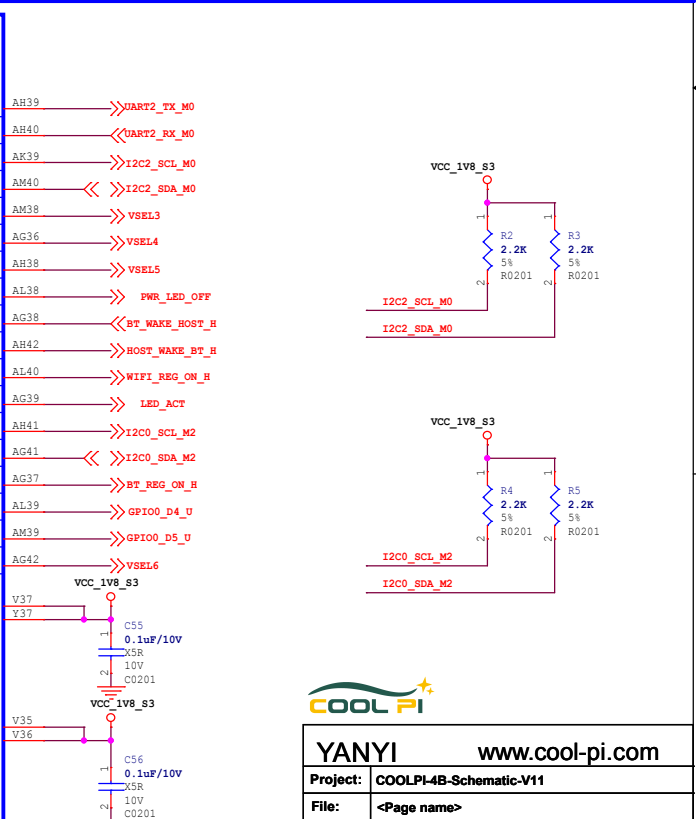
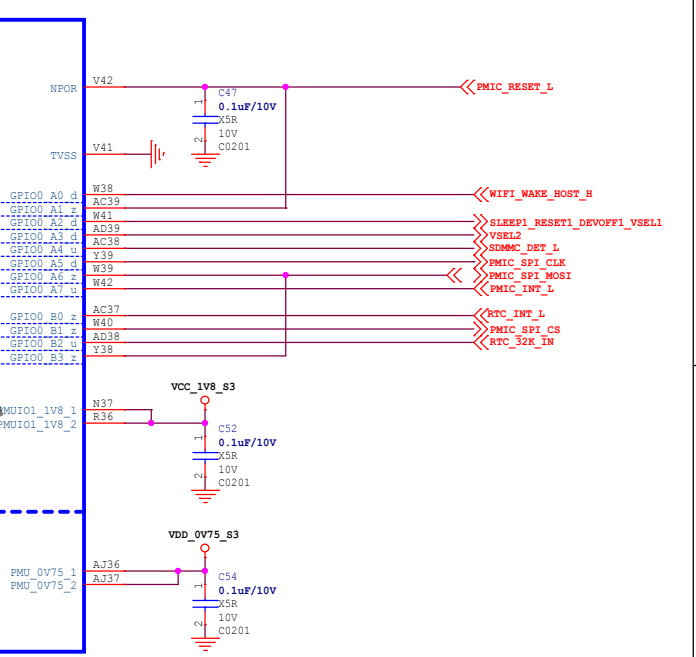
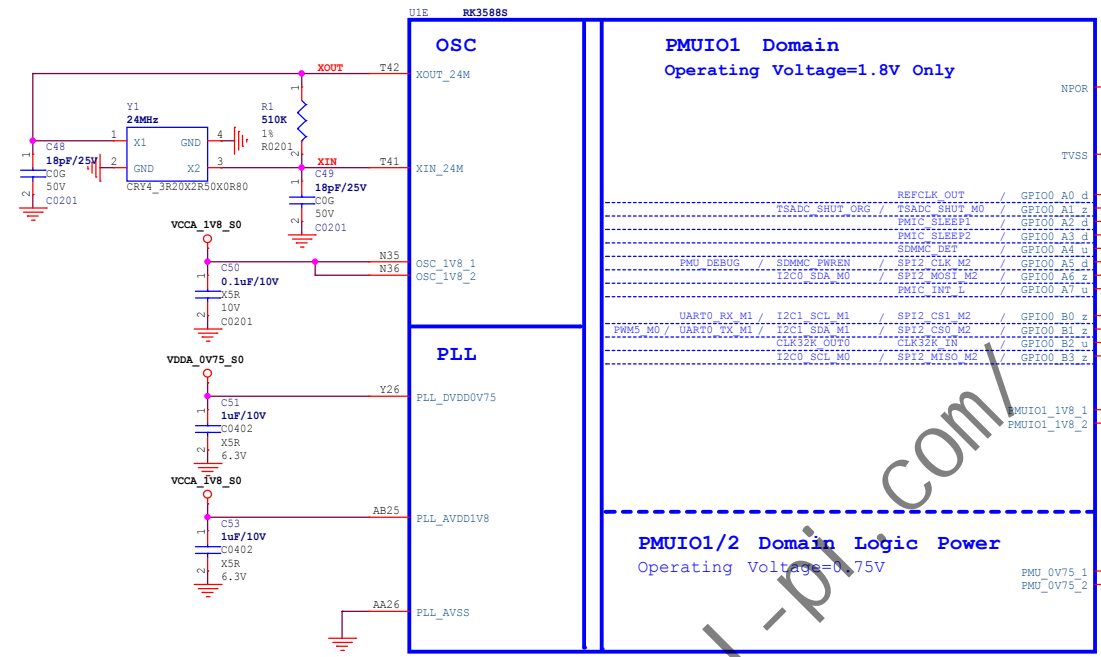
Q11	Q12	Q13	Q14	Q15	Q16	Q17	Q18	Q19	Q20	Q21	Q22	Q23	Q24	Q25	Q26	Q27	Q28	Q29	Q30	Q31	Q32	Q33	Q34	Q35	Q36	Q37	Q38	Q39	Q40	Q41	Q42	Q43	Q44	Q45	Q46	Q47	Q48	Q49	Q50										
V8S_201	V8S_202	V8S_203	V8S_204	V8S_205	V8S_206	V8S_207	V8S_208	V8S_209	V8S_210	V8S_211	V8S_212	V8S_213	V8S_214	V8S_215	V8S_216	V8S_217	V8S_218	V8S_219	V8S_220	V8S_221	V8S_222	V8S_223	V8S_224	V8S_225	V8S_226	V8S_227	V8S_228	V8S_229	V8S_230	V8S_231	V8S_232	V8S_233	V8S_234	V8S_235	V8S_236	V8S_237	V8S_238	V8S_239	V8S_240	V8S_241	V8S_242	V8S_243	V8S_244	V8S_245	V8S_246	V8S_247	V8S_248	V8S_249	V8S_250

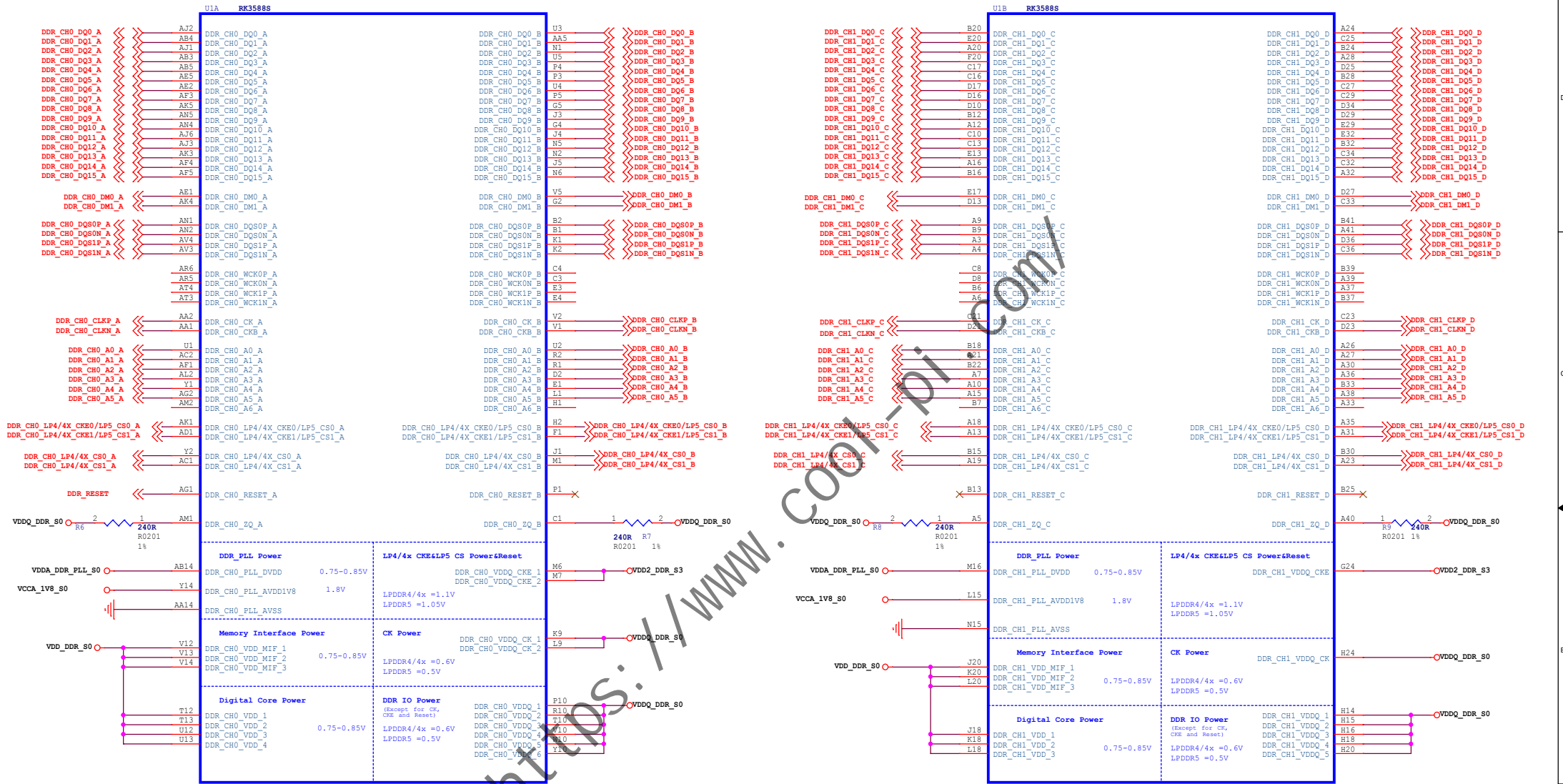
Q10	Q11	Q12	Q13	Q14	Q15	Q16	Q17	Q18	Q19	Q20	Q21	Q22	Q23	Q24	Q25	Q26	Q27	Q28	Q29	Q30	Q31	Q32	Q33	Q34	Q35	Q36	Q37	Q38	Q39	Q40	Q41	Q42	Q43	Q44	Q45	Q46	Q47	Q48	Q49	Q50									
V8S_301	V8S_302	V8S_303	V8S_304	V8S_305	V8S_306	V8S_307	V8S_308	V8S_309	V8S_310	V8S_311	V8S_312	V8S_313	V8S_314	V8S_315	V8S_316	V8S_317	V8S_318	V8S_319	V8S_320	V8S_321	V8S_322	V8S_323	V8S_324	V8S_325	V8S_326	V8S_327	V8S_328	V8S_329	V8S_330	V8S_331	V8S_332	V8S_333	V8S_334	V8S_335	V8S_336	V8S_337	V8S_338	V8S_339	V8S_340	V8S_341	V8S_342	V8S_343	V8S_344	V8S_345	V8S_346	V8S_347	V8S_348	V8S_349	V8S_350

Q10	Q11	Q12	Q13	Q14	Q15	Q16	Q17	Q18	Q19	Q20	Q21	Q22	Q23	Q24	Q25	Q26	Q27	Q28	Q29	Q30	Q31	Q32	Q33	Q34	Q35	Q36	Q37	Q38	Q39	Q40	Q41	Q42	Q43	Q44	Q45	Q46	Q47	Q48	Q49	Q50									
V8S_401	V8S_402	V8S_403	V8S_404	V8S_405	V8S_406	V8S_407	V8S_408	V8S_409	V8S_410	V8S_411	V8S_412	V8S_413	V8S_414	V8S_415	V8S_416	V8S_417	V8S_418	V8S_419	V8S_420	V8S_421	V8S_422	V8S_423	V8S_424	V8S_425	V8S_426	V8S_427	V8S_428	V8S_429	V8S_430	V8S_431	V8S_432	V8S_433	V8S_434	V8S_435	V8S_436	V8S_437	V8S_438	V8S_439	V8S_440	V8S_441	V8S_442	V8S_443	V8S_444	V8S_445	V8S_446	V8S_447	V8S_448	V8S_449	V8S_450

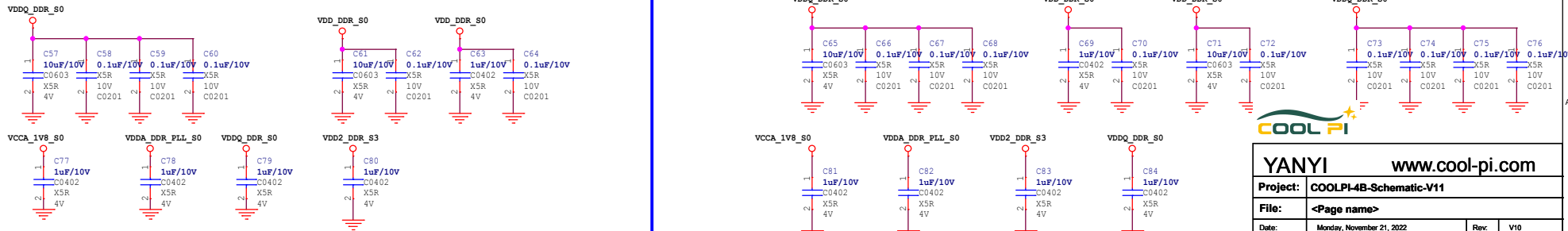
Q10	Q11	Q12	Q13	Q14	Q15	Q16	Q17	Q18	Q19	Q20	Q21	Q22	Q23	Q24	Q25	Q26	Q27	Q28	Q29	Q30	Q31	Q32	Q33	Q34	Q35	Q36	Q37	Q38	Q39	Q40	Q41	Q42	Q43	Q44	Q45	Q46	Q47	Q48	Q49	Q50									
V8S_501	V8S_502	V8S_503	V8S_504	V8S_505	V8S_506	V8S_507	V8S_508	V8S_509	V8S_510	V8S_511	V8S_512	V8S_513	V8S_514	V8S_515	V8S_516	V8S_517	V8S_518	V8S_519	V8S_520	V8S_521	V8S_522	V8S_523	V8S_524	V8S_525	V8S_526	V8S_527	V8S_528	V8S_529	V8S_530	V8S_531	V8S_532	V8S_533	V8S_534	V8S_535	V8S_536	V8S_537	V8S_538	V8S_539	V8S_540	V8S_541	V8S_542	V8S_543	V8S_544	V8S_545	V8S_546	V8S_547	V8S_548	V8S_549	V8S_550

Q10	Q11	Q12	Q13	Q14	Q15	Q16	Q17	Q18	Q19	Q20	Q21	Q22	Q23	Q24	Q25	Q26	Q27	Q28	Q29	Q30	Q31	Q32	Q33	Q34	Q35	Q36	Q37	Q38	Q39	Q40	Q41	Q42	Q43	Q44	Q45	Q46	Q47	Q48	Q49	Q50						
V8S_54	V8S_55	V8S_56	V8S_57	V8S_58	V8S_59	V8S_60	V8S_61	V8S_62	V8S_63	V8S_64	V8S_65	V8S_66	V8S_67	V8S_68	V8S_69	V8S_70	V8S_71	V8S_72	V8S_73	V8S_74	V8S_75	V8S_76	V8S_77	V8S_78	V8S_79	V8S_80	V8S_81	V8S_82	V8S_83	V8S_84	V8S_85	V8S_86	V8S_87	V8S_88	V8S_89	V8S_90	V8S_91	V8S_92	V8S_93	V8S_94	V8S_95	V8S_96	V8S_97	V8S_98	V8S_99	V8S_100





DDR FILTER

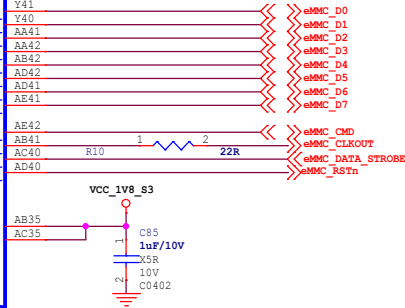
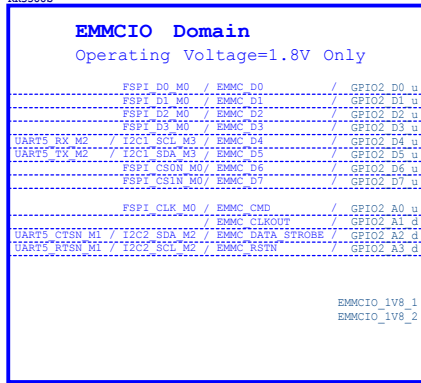


**COOL PI**

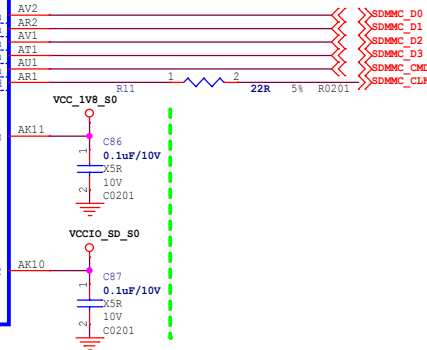
**YANYI** www.cool-pi.com

Project: COOLPI-4B-Schematic-V11  
 File: <Page name>  
 Date: Monday, November 21, 2022  
 Designed by: Joseph  
 Reviewed by: <Checker>  
 Rev: V10  
 Sheet: 0 of 0

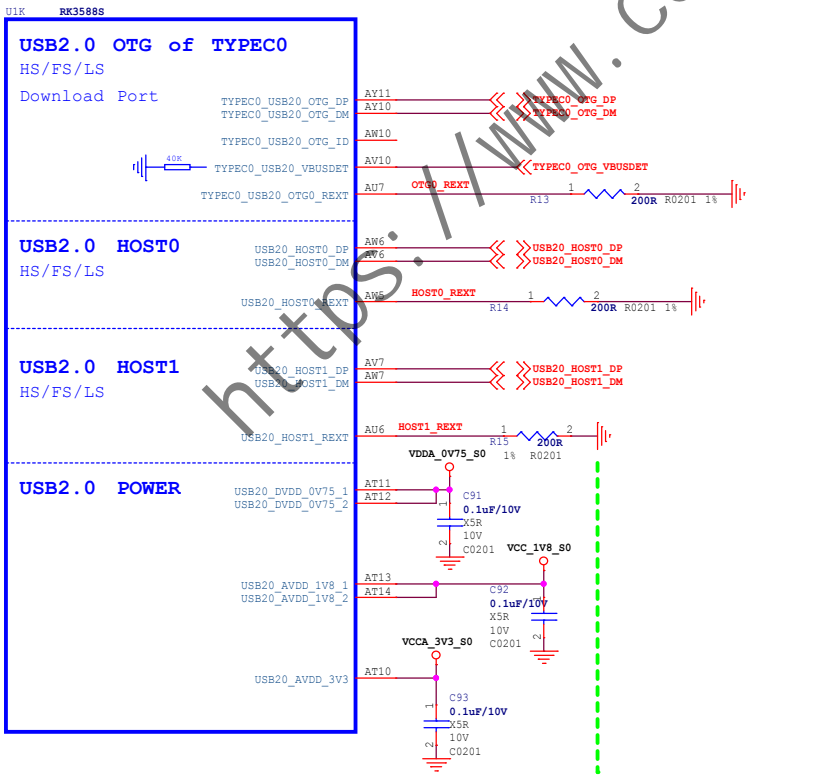
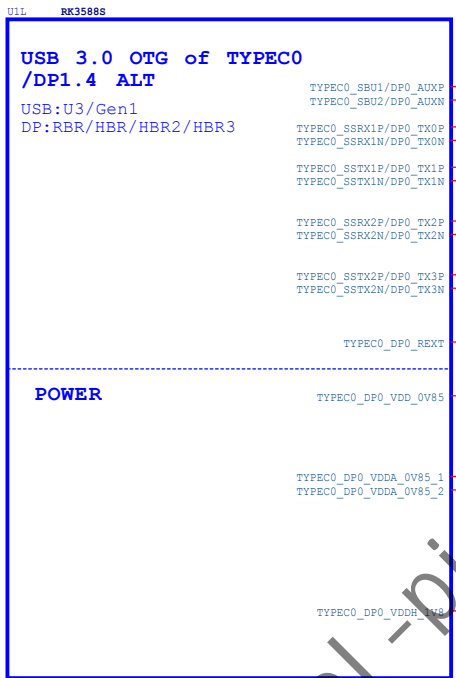
U1C  
RK3588S



U1D  
RK3588S

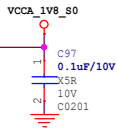
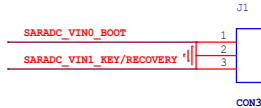
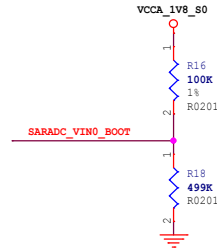
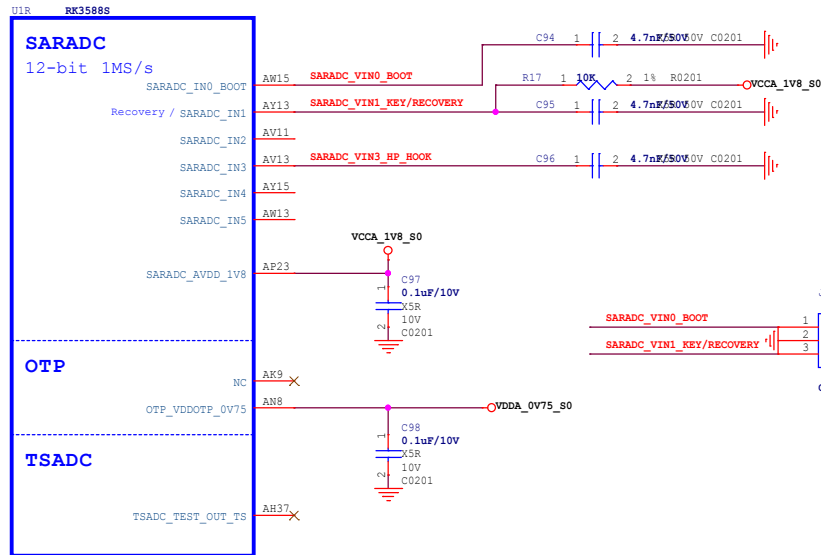


<b>YANYI</b>		<a href="http://www.cool-pi.com">www.cool-pi.com</a>	
<b>Project:</b>	COOLPI-4B-Schematic-V11		
<b>File:</b>	<Page name>		
<b>Date:</b>	Monday, November 21, 2022	<b>Rev:</b>	V10
<b>Designed by:</b>	Joseph	<b>Reviewed by:</b>	<Checker>
<b>Sheet:</b>	0 of 0		

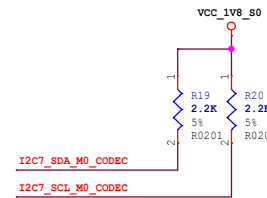


<b>YANYI</b>		www.cool-pi.com	
<b>Project:</b>	COOLPI-4B-Schematic-V11		
<b>File:</b>	<Page name>		
<b>Date:</b>	Monday, November 21, 2022	<b>Rev:</b>	V10
<b>Designed by:</b>	Joseph	<b>Reviewed by:</b>	<Checker>
<b>Sheet:</b>	0 of 0		

<< SARADC\_VIN3\_HP\_HOOK



### RK3588S (VCCIO1 Domain)

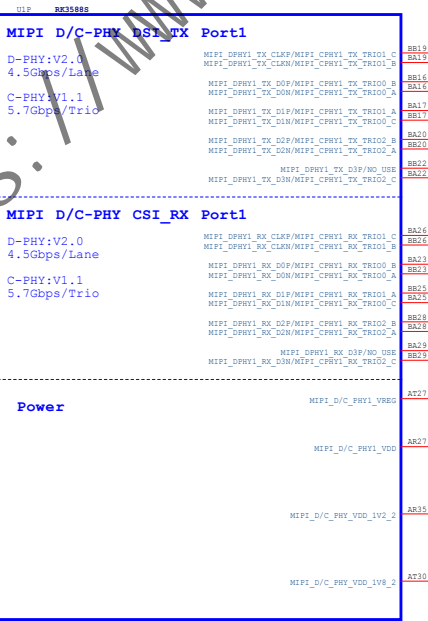
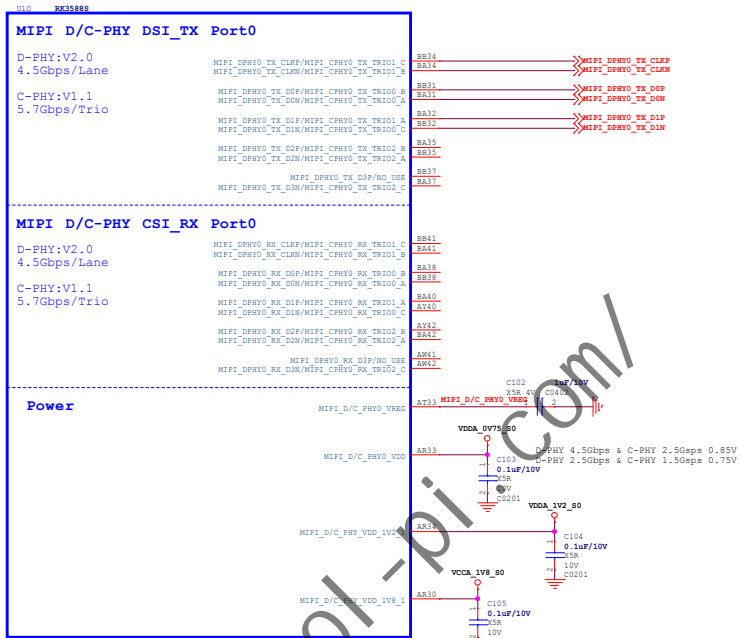
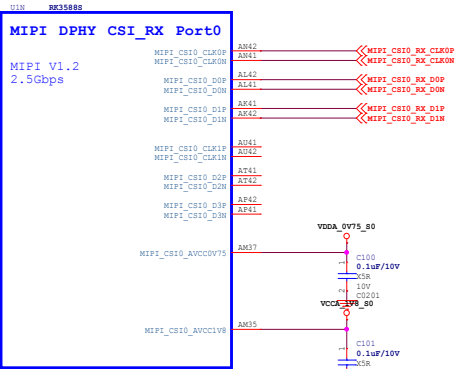


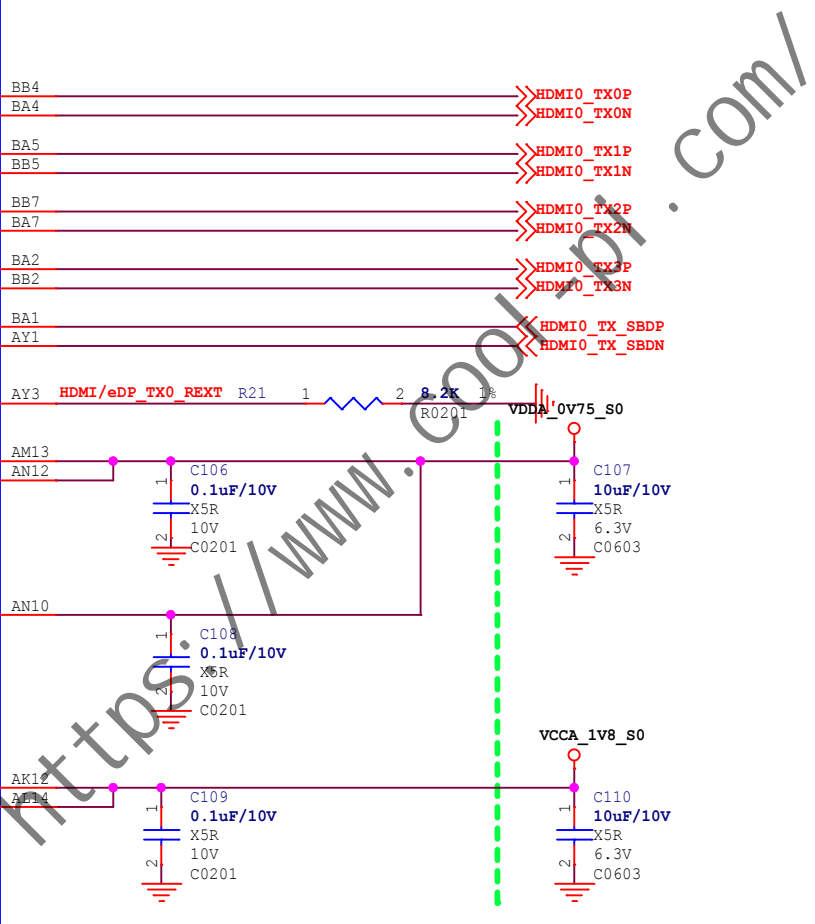
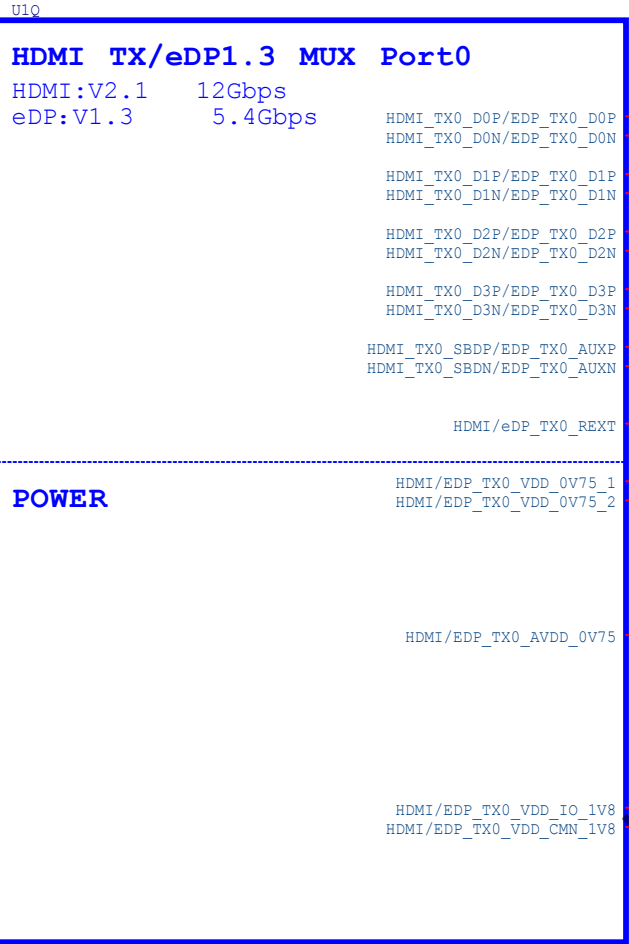
https://www.cool-pi.com/



YANYI www.cool-pi.com

Project:	COOLPI-4B-Schematic-V11		
File:	<Page name>		
Date:	Monday, November 21, 2022	Rev:	V10
Designed by:	Joseph	Reviewed by:	<Checker>
Sheet:	0 of 0		



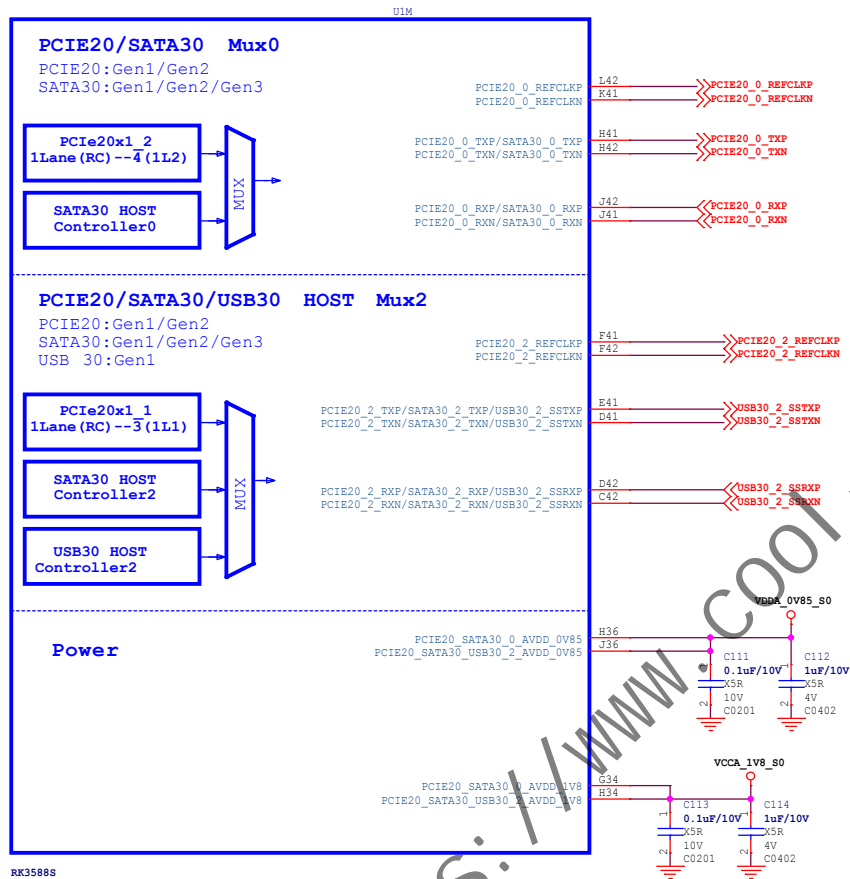


RK3588S



<b>YANYI</b>		<a href="http://www.cool-pi.com">www.cool-pi.com</a>	
<b>Project:</b>	COOLPI-4B-Schematic-V11		
<b>File:</b>	<Page name>		
<b>Date:</b>	Monday, November 21, 2022	<b>Rev:</b>	V10
<b>Designed by:</b>	Joseph	<b>Reviewed by:</b>	<Checker>
		<b>Sheet:</b>	0 of 0



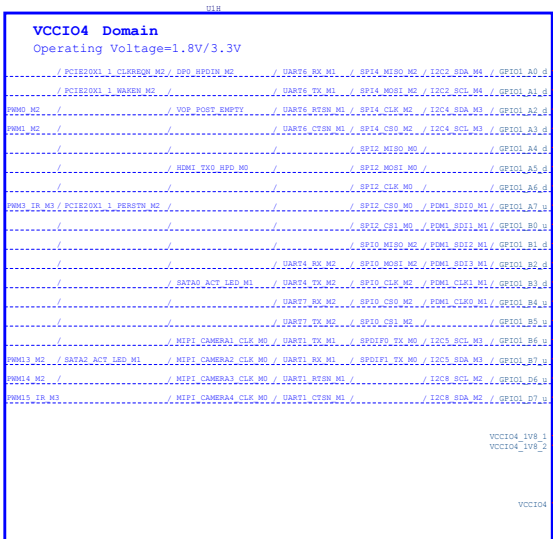


RK3588s

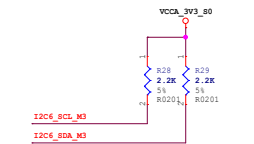
<https://www.cool-pi.com/>



<b>YANYI</b>		<a href="http://www.cool-pi.com">www.cool-pi.com</a>	
<b>Project:</b>	COOLPI-4B-Schematic-V11		
<b>File:</b>	<Page name>		
<b>Date:</b>	Monday, November 21, 2022	<b>Rev:</b>	V10
<b>Designed by:</b>	Joseph	<b>Reviewed by:</b>	<Checker>
		<b>Sheet:</b>	0 of 0



**RK3588S (VCCIO5 Domain)**



**YANYI** www.cool-pi.com

Project: COOLPI4B-Schematic-V11

File: <Page name>

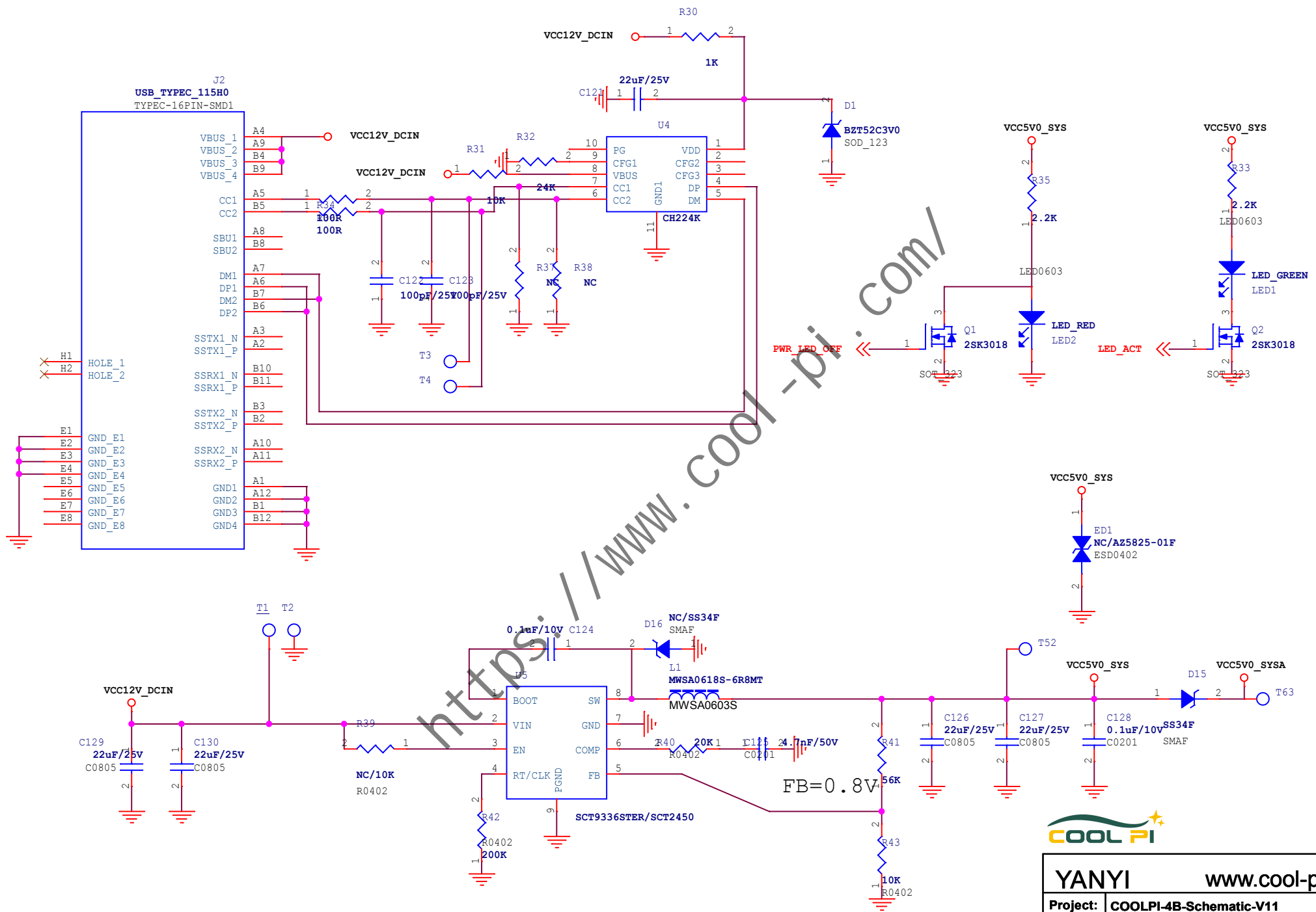
Date: Monday, November 21, 2023

Designed by: Joseph

Reviewed by: <Check>

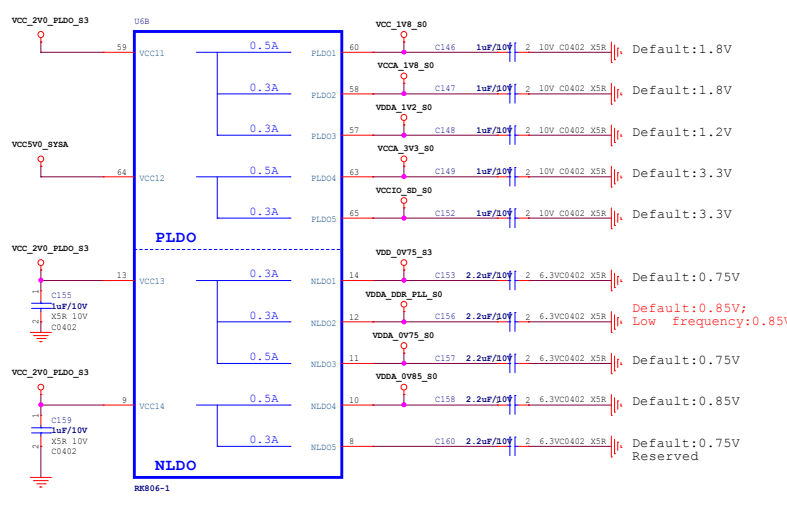
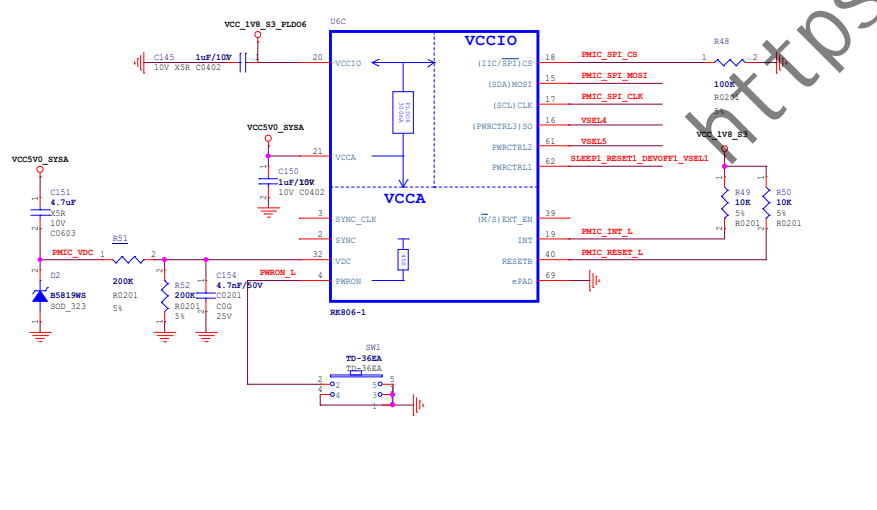
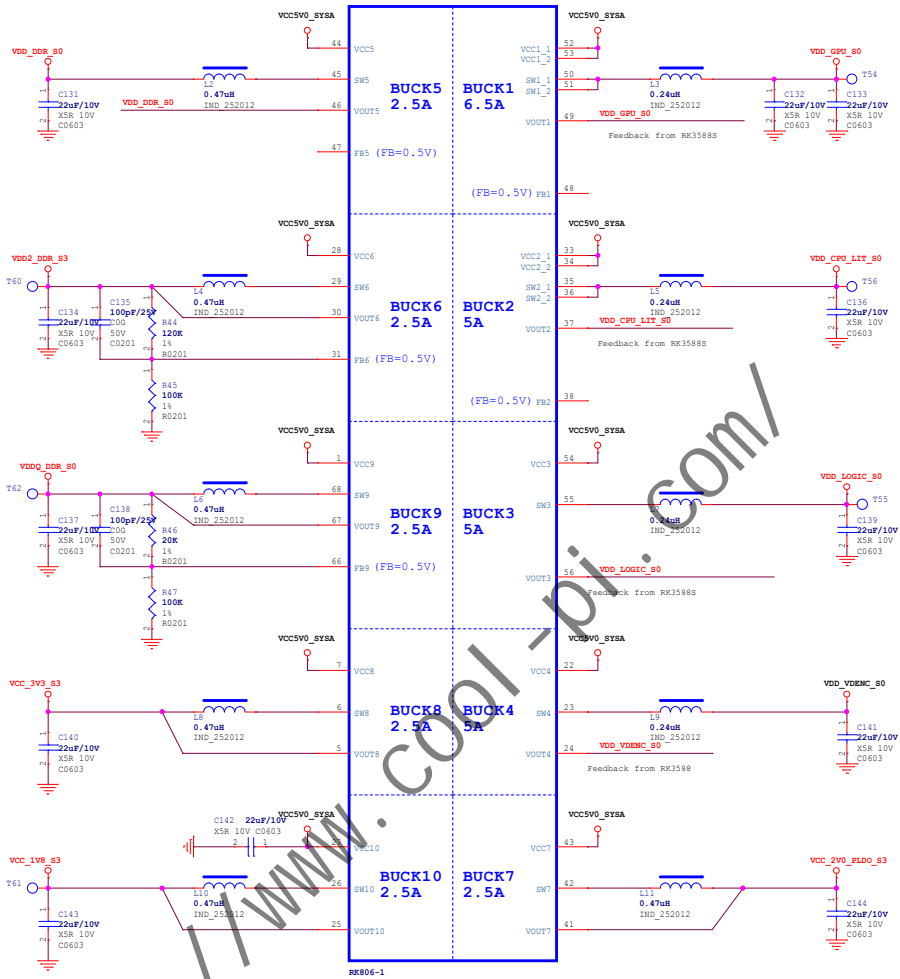
Rev: V10


Sheet: 9 of 9



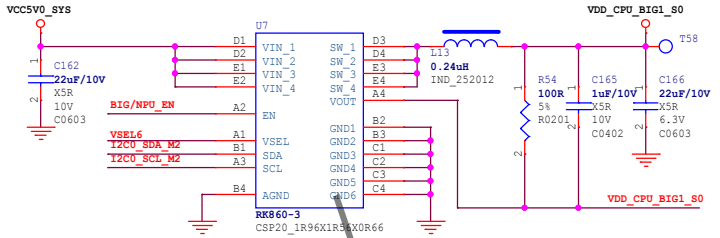
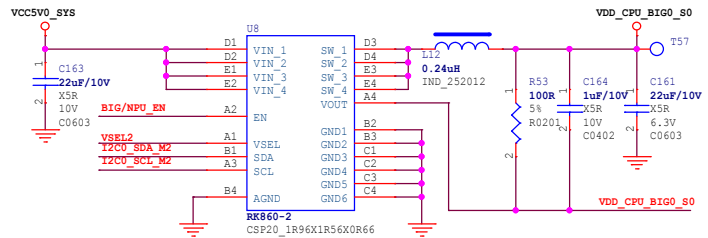
<b>YANYI</b>		www.cool-pi.com	
<b>Project:</b>	COOLPI-4B-Schematic-V11		
<b>File:</b>	<Page name>		
<b>Date:</b>	Monday, November 21, 2022	<b>Rev:</b>	V1.0
<b>Designed by:</b>	<designer>	<b>Reviewed by:</b>	
		<b>Sheet:</b>	0 of 0

SLEEP1\_RESET1\_DEVOFF1\_VSEL1  
 VSEL4  
 PMIC\_INT\_L  
 PMIC\_RESET\_L  
 PMIC\_SPI\_CLK  
 PMIC\_SPI\_CS  
 PMIC\_SPI\_MOSI

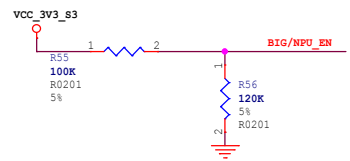



  
**YANYI** www.cool-pi.com

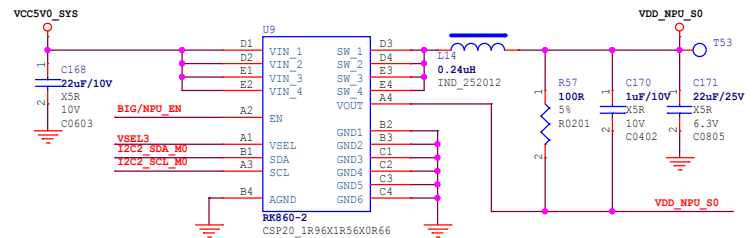
Project:	COOLPI-48-Schematic-V11		
File:	<Page name>		
Date:	Monday, November 21, 2022	Rev:	V10
Designed by:	Joseph	Reviewed by:	<Checker>
Sheet:	9	of	9



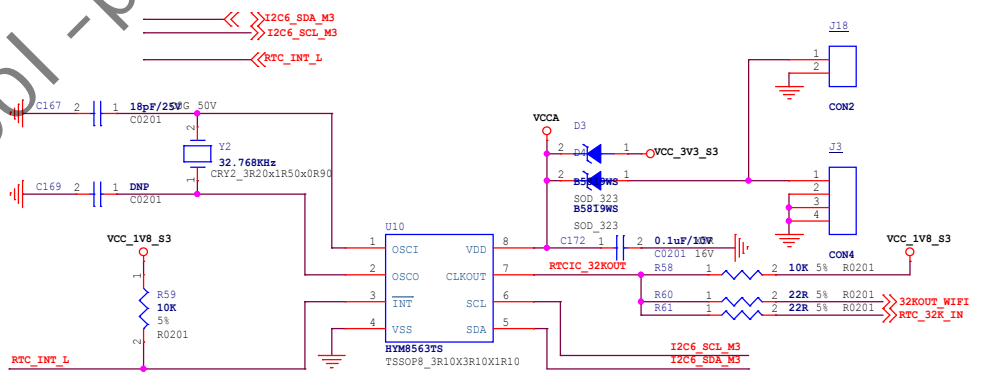
Feedback from RK3588S



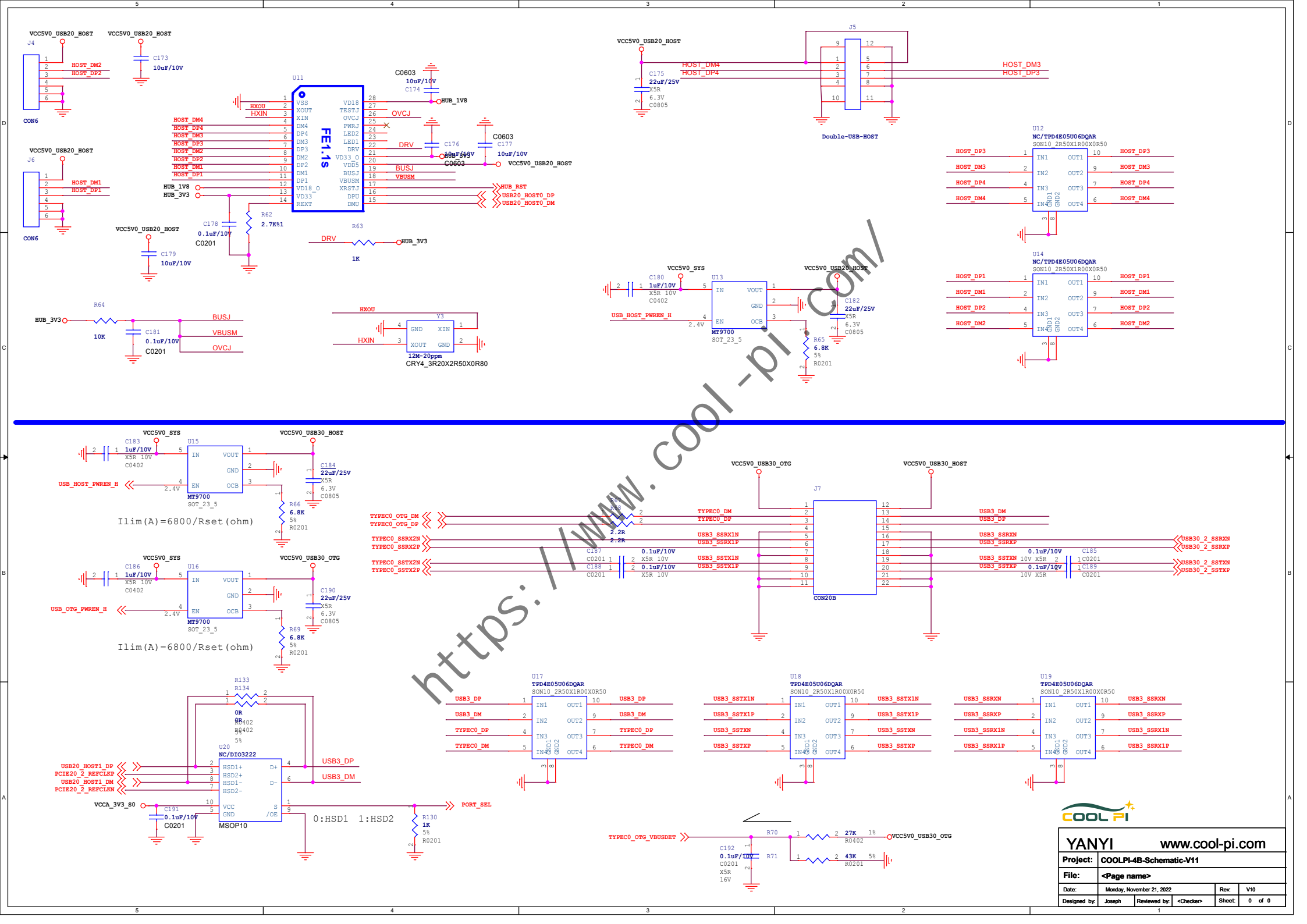
### VDD\_NPU



Feedback from RK3588S

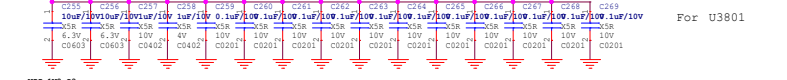
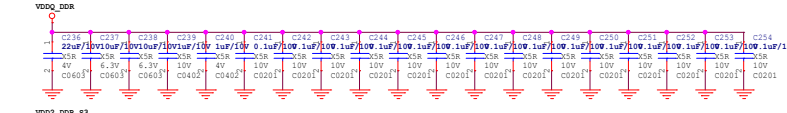
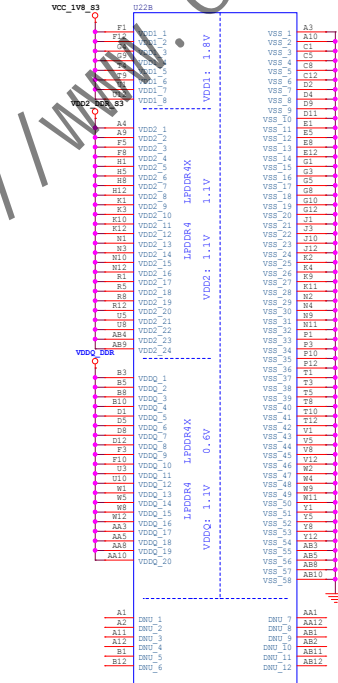
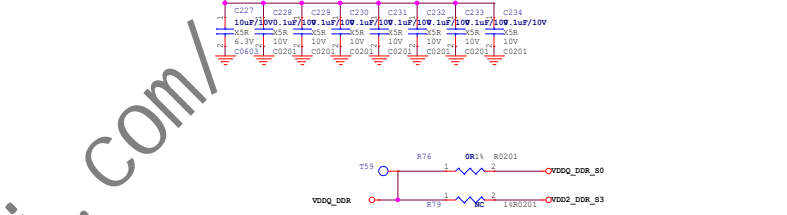
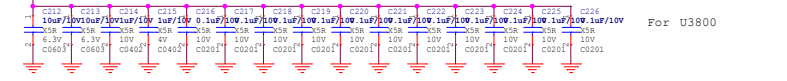
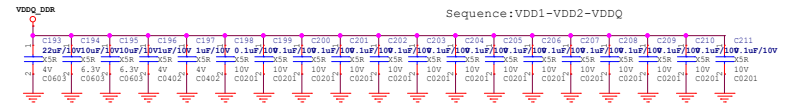


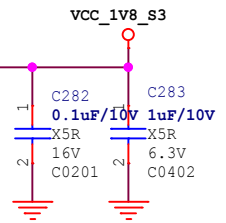
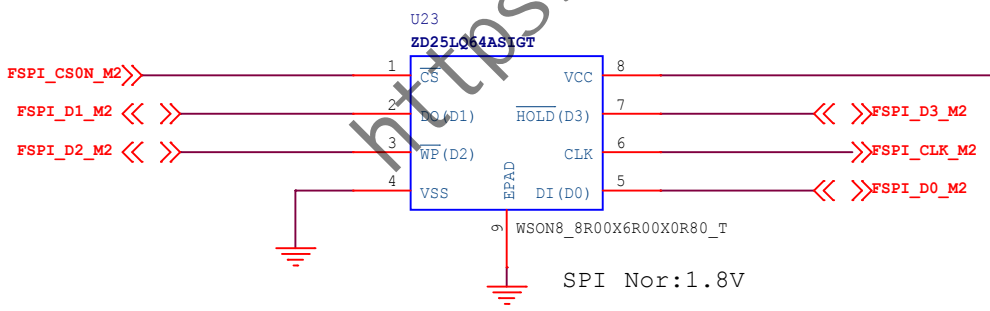
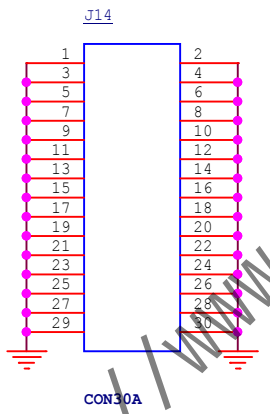
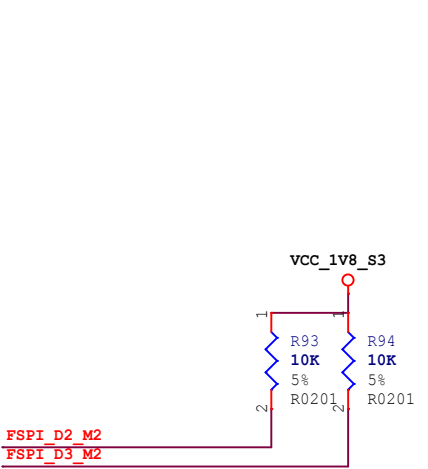
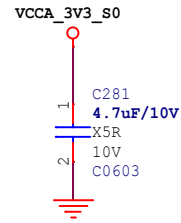
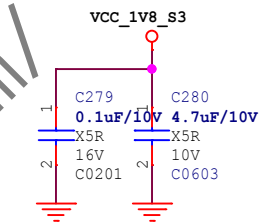
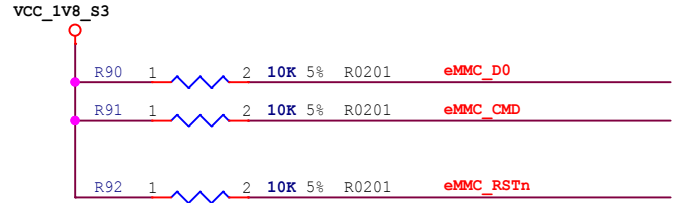
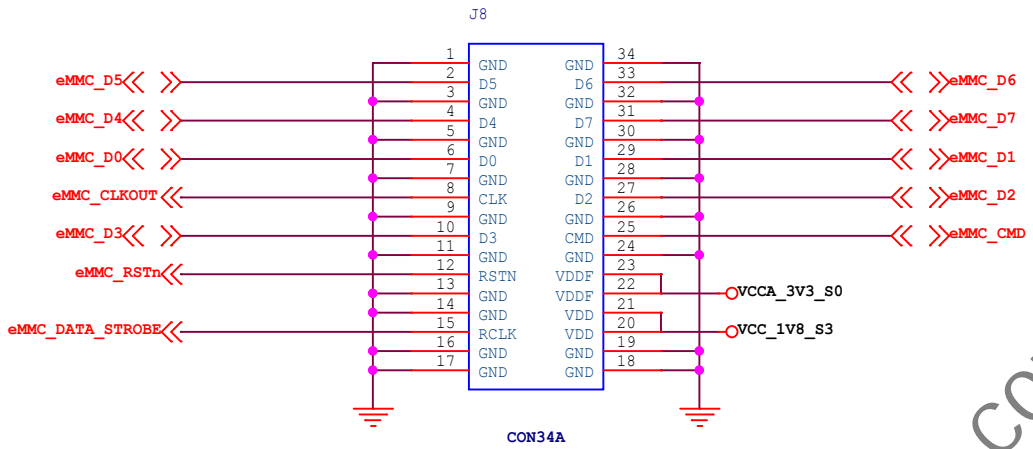
<b>YANYI</b>		www.cool-pi.com	
<b>Project:</b>	COOLPI-4B-Schematic-V11		
<b>File:</b>	<Page name>		
<b>Date:</b>	Monday, November 21, 2022	<b>Rev:</b>	V10
<b>Designed by:</b>	Joseph	<b>Reviewed by:</b>	<Checker>
		<b>Sheet:</b>	0 of 0



**YANYI** www.cool-pi.com

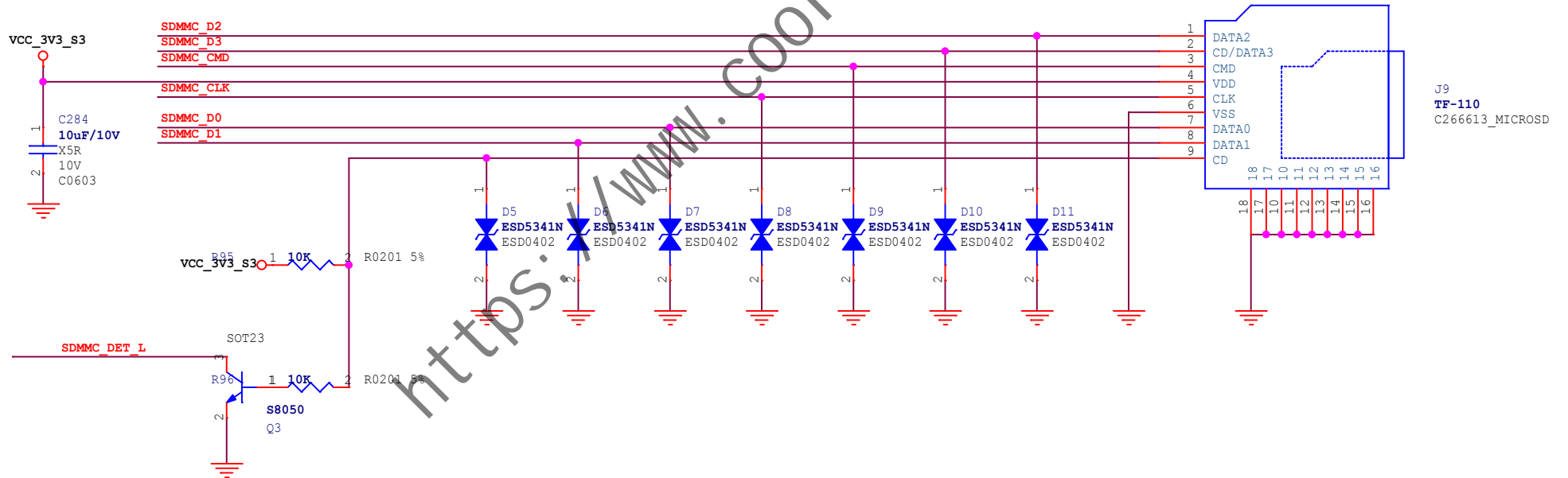
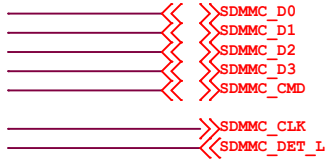
Project:	COOLPI-4B-Schematic-V11		
File:	<Page name>		
Date:	Monday, November 21, 2022	Rev:	V10
Designed by:	Joseph	Reviewed by:	<Checker>
Sheet:	0 of 0		



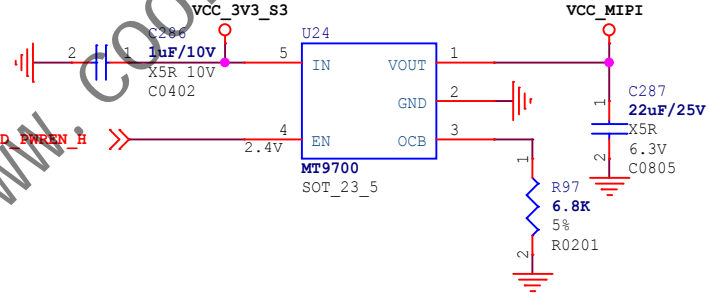
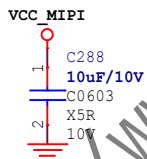
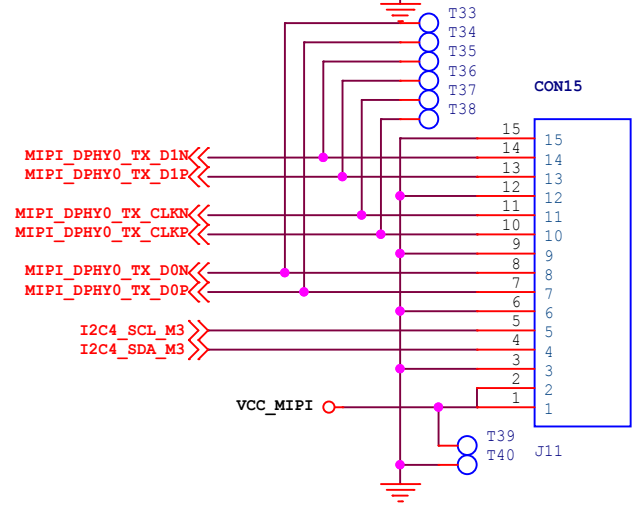
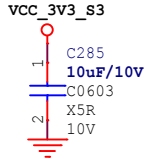
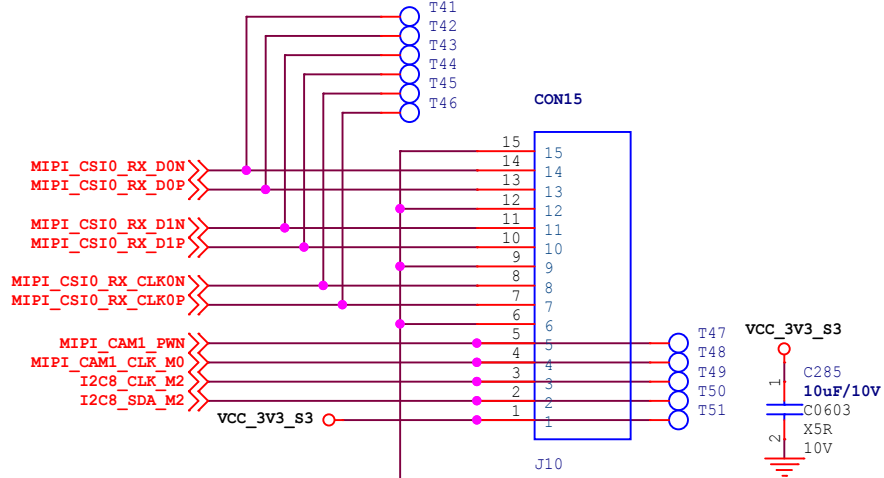


<b>YANYI</b>		<a href="http://www.cool-pi.com">www.cool-pi.com</a>	
<b>Project:</b>	COOLPI-4B-Schematic-V11		
<b>File:</b>	<Page name>		
<b>Date:</b>	Monday, November 21, 2022	<b>Rev:</b>	V10
<b>Designed by:</b>	Joseph	<b>Reviewed by:</b>	<Checker>
		<b>Sheet:</b>	0 of 0





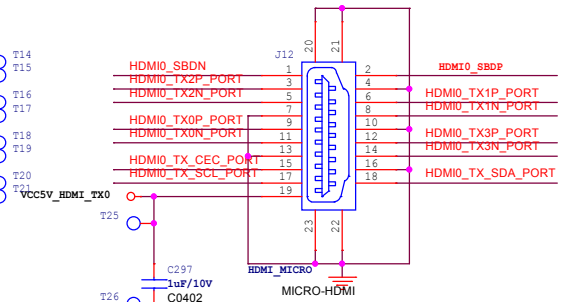
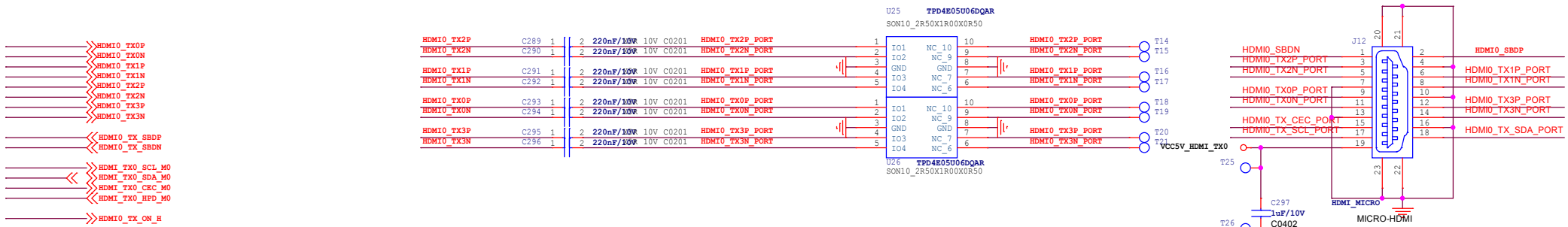
<b>YANYI</b>		<a href="http://www.cool-pi.com">www.cool-pi.com</a>	
<b>Project:</b>	COOLPI-4B-Schematic-V11		
<b>File:</b>	<Page name>		
<b>Date:</b>	Monday, November 21, 2022	<b>Rev:</b>	V10
<b>Designed by:</b>	Joseph	<b>Reviewed by:</b>	<Checker>
		<b>Sheet:</b>	0 of 0



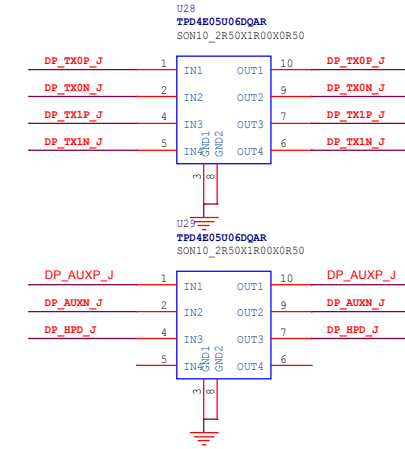
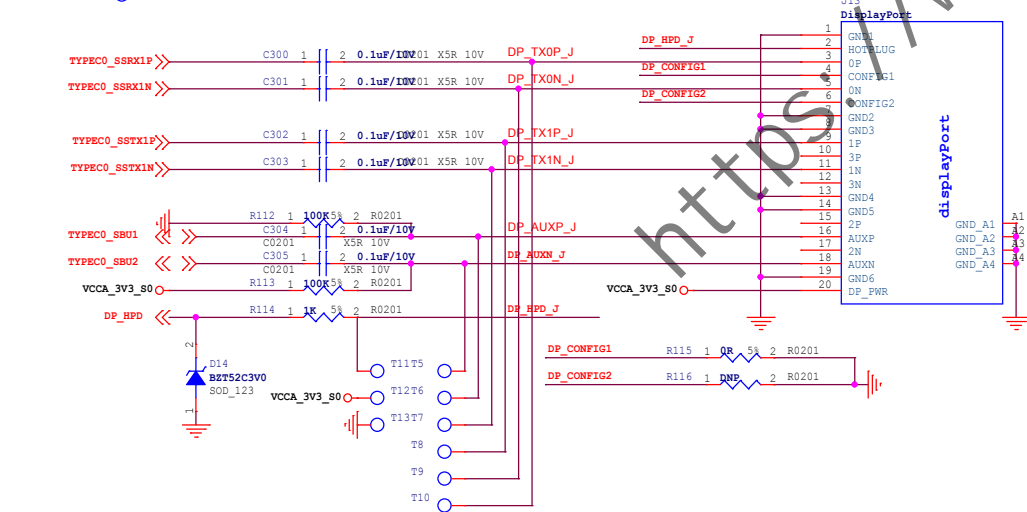
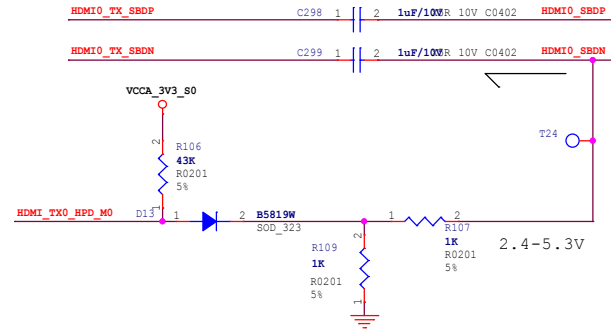
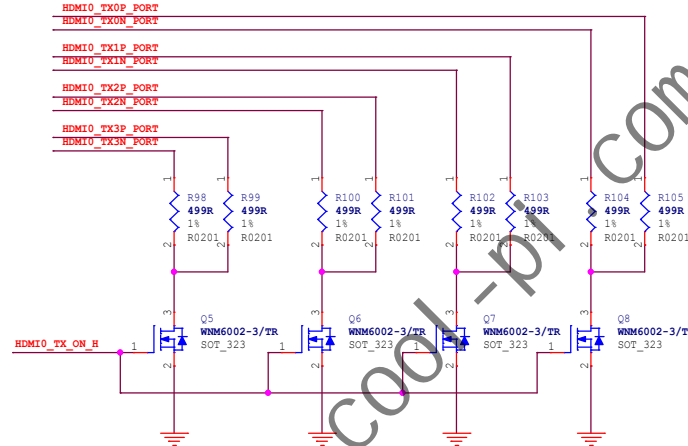
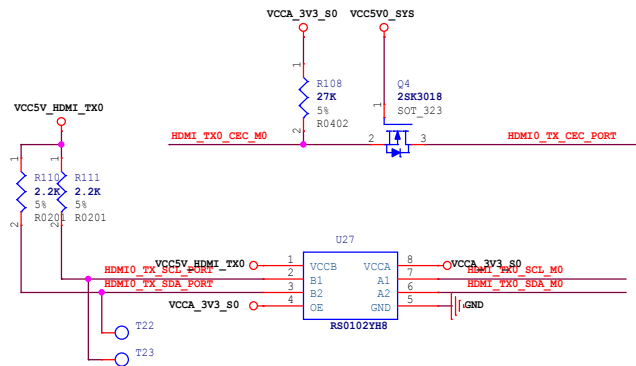
<https://www.cool-pi.com/>

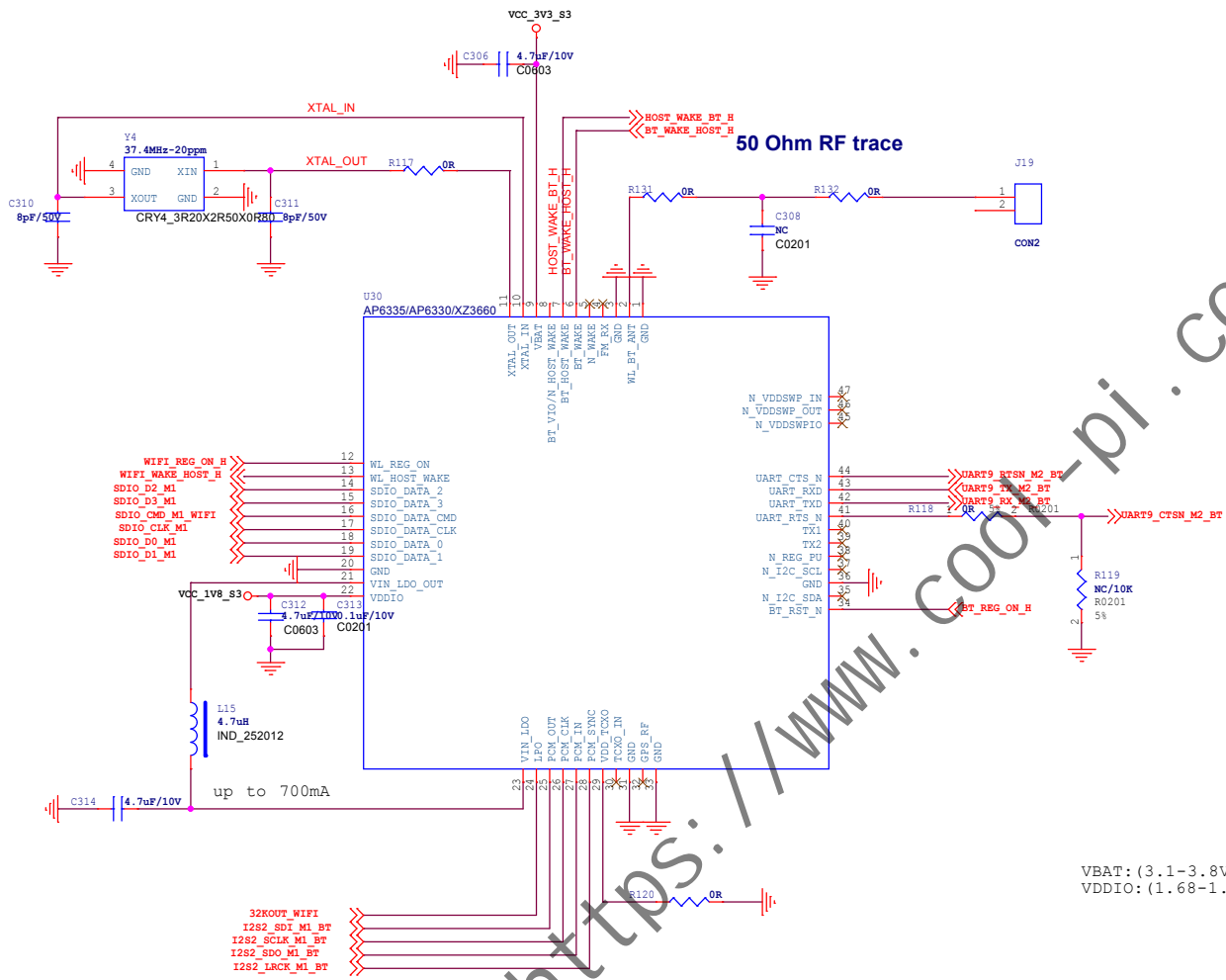


<b>YANYI</b>		<a href="http://www.cool-pi.com">www.cool-pi.com</a>	
<b>Project:</b>	COOLPI-4B-Schematic-V11		
<b>File:</b>	<Page name>		
<b>Date:</b>	Monday, November 21, 2022	<b>Rev:</b>	V10
<b>Designed by:</b>	Joseph	<b>Reviewed by:</b>	<Checker>
		<b>Sheet:</b>	0 of 0



### HDMI TX CEC

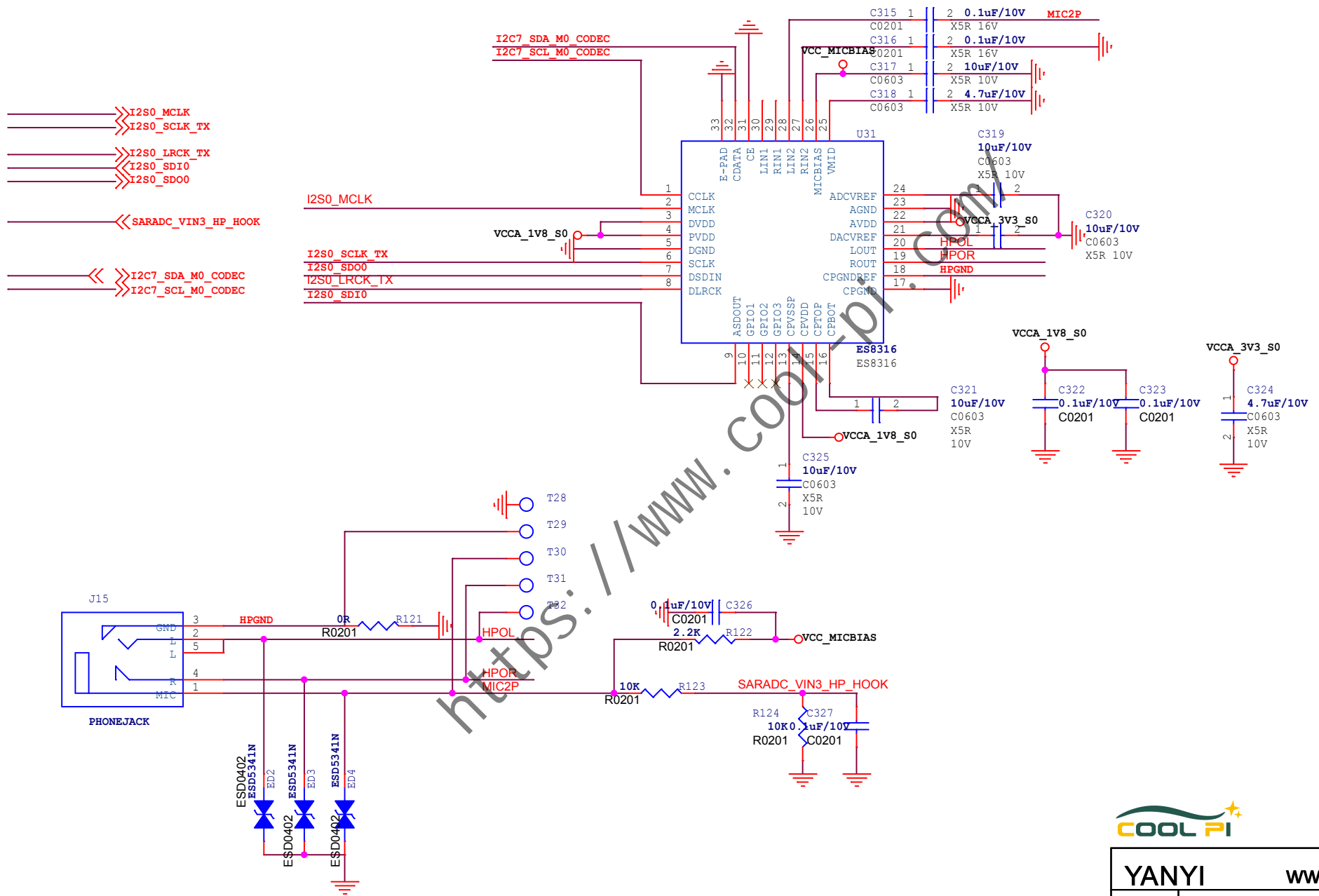




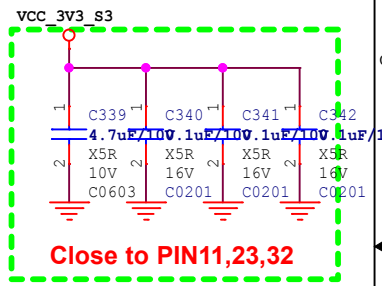
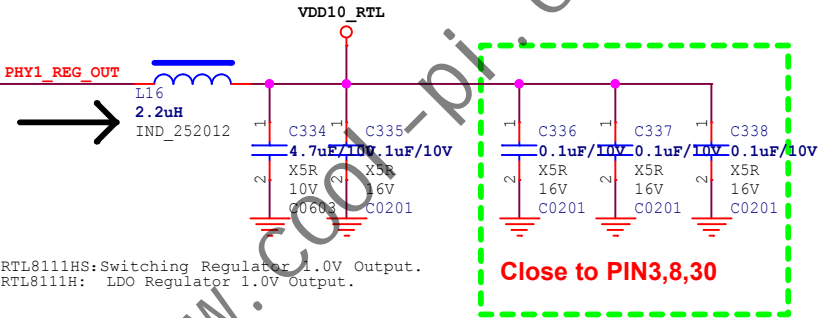
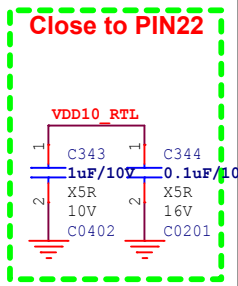
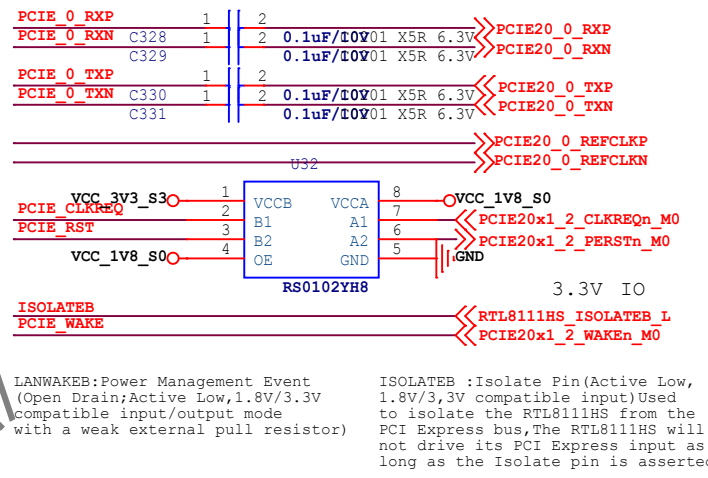
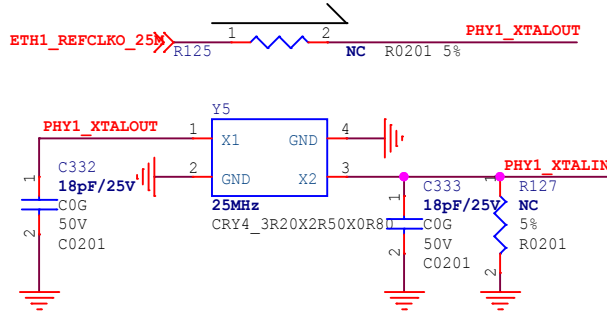
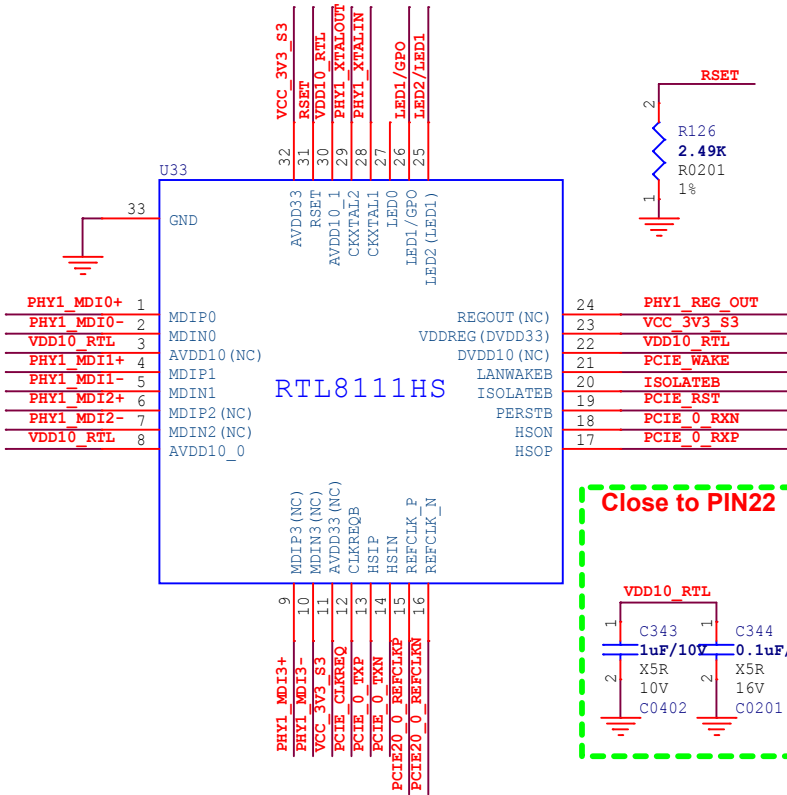
VBAT: (3.1-3.8V) / 1.2A  
 VDDIO: (1.68-1.98V) / 300mA.



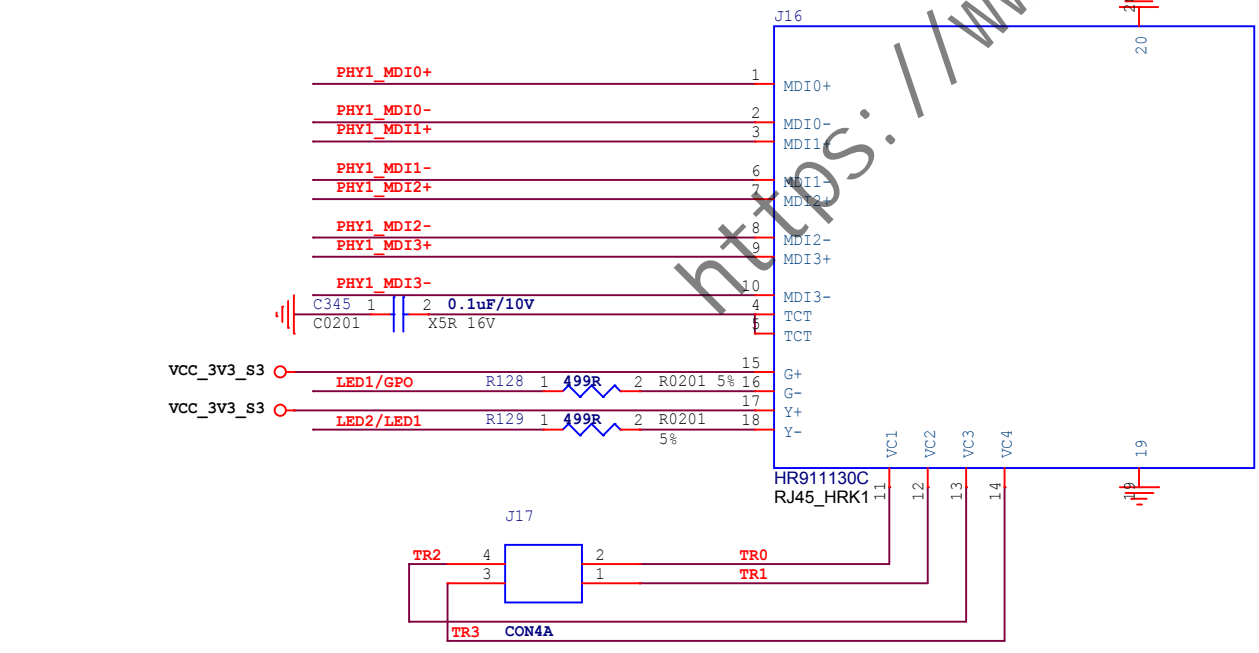
<b>YANYI</b>		<b>www.cool-pi.com</b>	
<b>Project:</b>	COOLPI-4B-Schematic-V11		
<b>File:</b>	<Page name>		
<b>Date:</b>	Monday, November 21, 2022	<b>Rev:</b>	V10
<b>Designed by:</b>	Joseph	<b>Reviewed by:</b>	<Checker>
		<b>Sheet:</b>	0 of 0



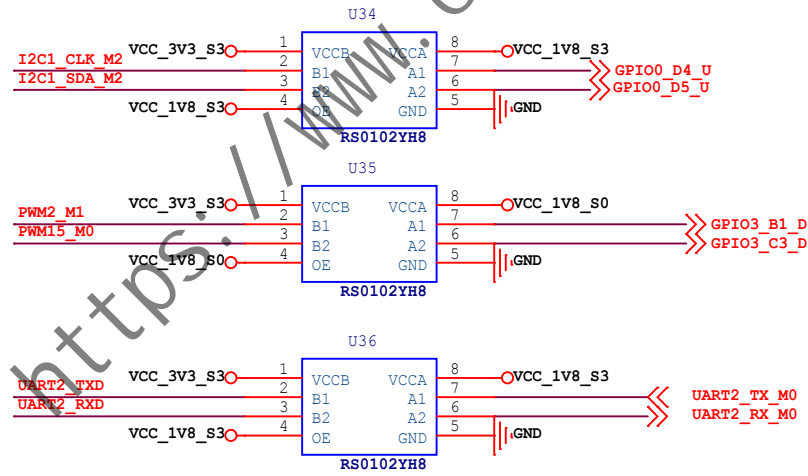
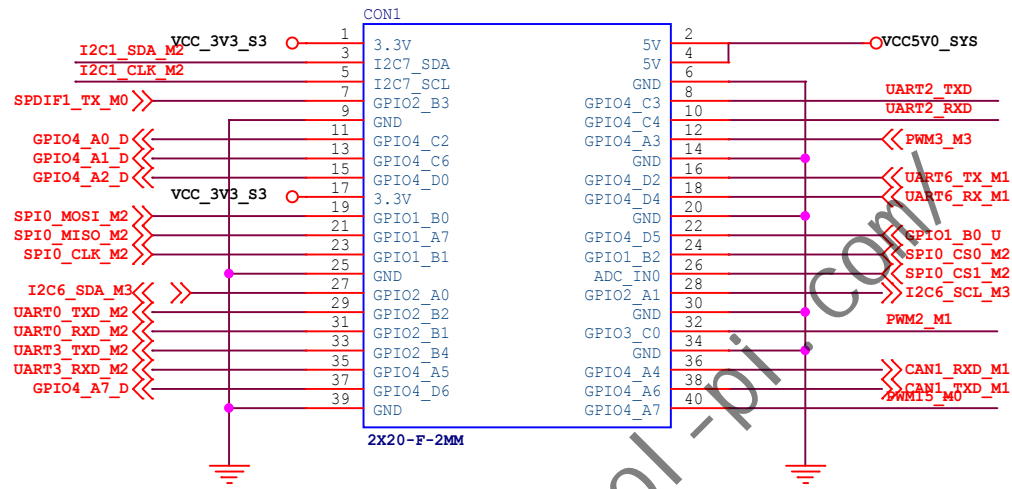
<b>YANYI</b>		<a href="http://www.cool-pi.com">www.cool-pi.com</a>	
<b>Project:</b>	COOLPI-4B-Schematic-V11		
<b>File:</b>	<Page name>		
<b>Date:</b>	Monday, November 21, 2022	<b>Rev:</b>	V10
<b>Designed by:</b>	Joseph	<b>Reviewed by:</b>	Default
		<b>Sheet:</b>	0 of 0



RTL8111HS: Switching Regulator 1.0V Output.  
RTL8111H: LDO Regulator 1.0V Output.



<b>YANYI</b>		www.cool-pi.com	
<b>Project:</b>	COOLPI-4B-Schematic-V11		
<b>File:</b>	<Page name>		
<b>Date:</b>	Monday, November 21, 2022	<b>Rev:</b>	V1.1
<b>Designed by:</b>	Zhangdz	<b>Reviewed by:</b>	Default
		<b>Sheet:</b>	0 of 0



<b>YANYI</b>		www.cool-pi.com	
<b>Project:</b>	COOLPI-4B-Schematic-V11		
<b>File:</b>	<Page name>		
<b>Date:</b>	Monday, November 21, 2022	<b>Rev:</b>	V10
<b>Designed by:</b>	Joseph	<b>Reviewed by:</b>	<Checker>
		<b>Sheet:</b>	0 of 0