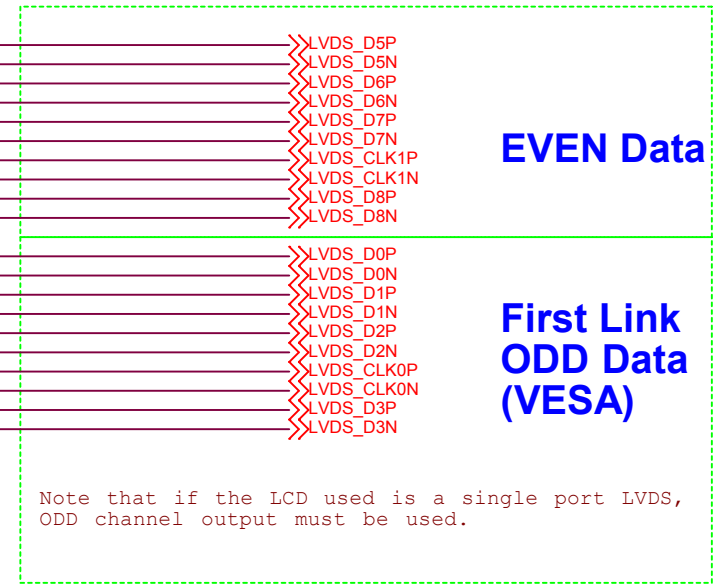
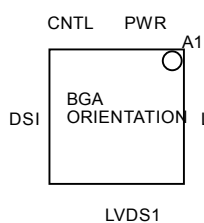


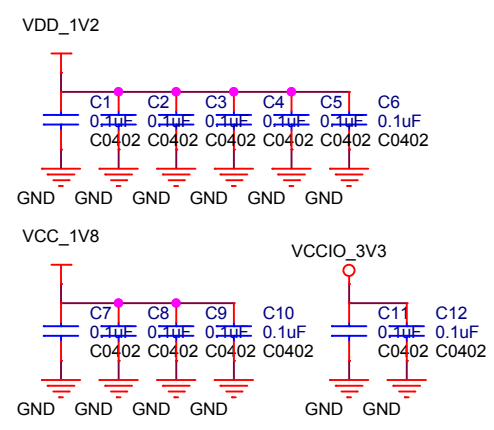
**TC358772XBG/
TC358775XBG**

**D2L2-BL/
D2L-LP**



There are three 1.2V, 1.8V, and 3.3V power supplies. Please note that the specifications should not be less than the power required by the specifications. Control signal reset, low-level reset, high-level (3.3V) normal operation, and mipi signal direct docking is sufficient.

**LVDS MAIN HEADER
(VESA Naming Convention for ODD/EVEN)**



YANYI		www.cool-pi.com	
Title <Title>			
Size A4	Document Number <Doc>	Rev <RevC>	
Date: Friday, November 24, 2023	Sheet 1	of 1	